

Nets that span sheets 1 and 2:
 5V, GND, 7.5V_OUT, 7.5V_IN, I2C_SDA, I2C_SCL, DAC_OUT

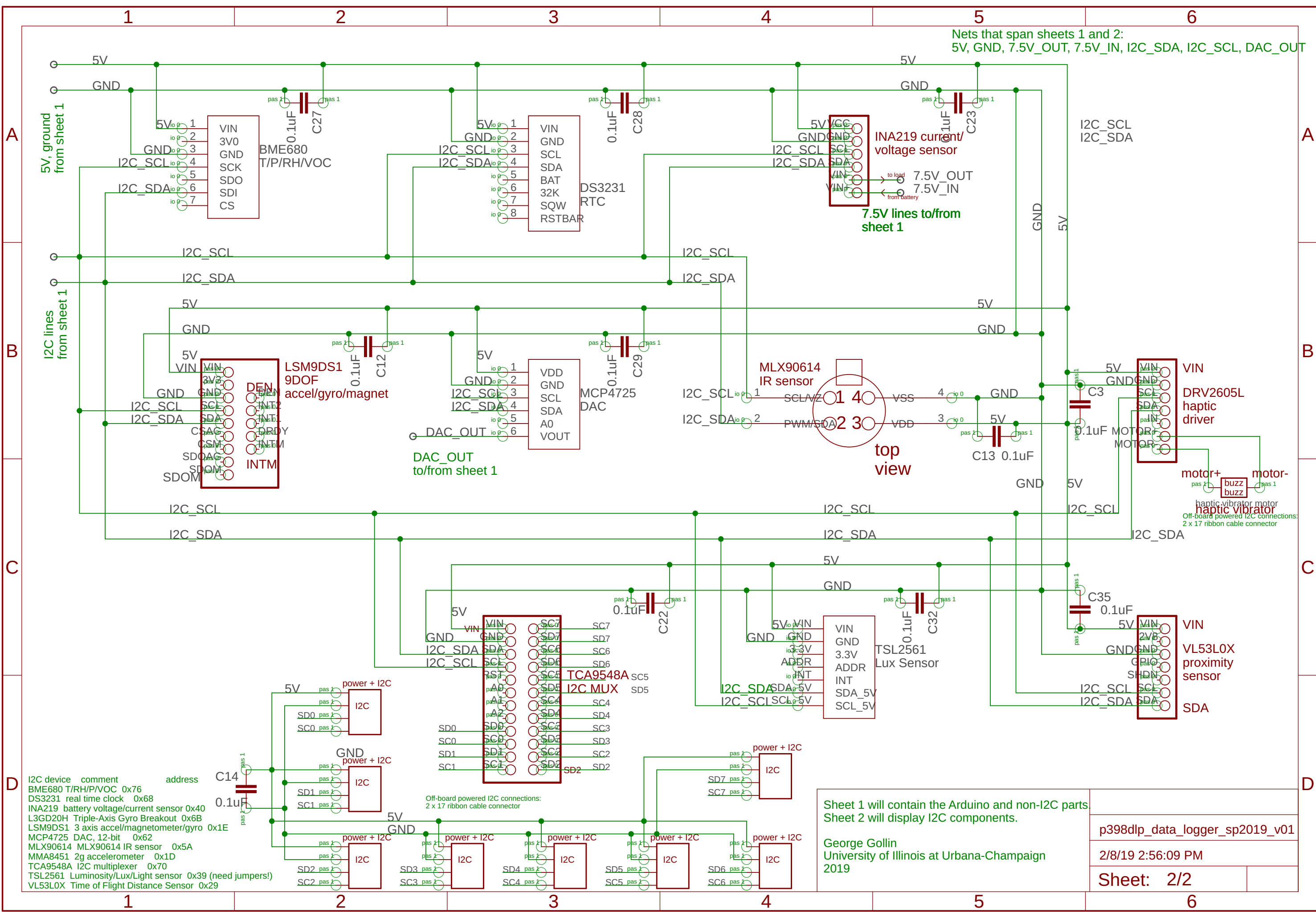
Sheet 1 will contain the Arduino and non-I2C parts.
 Sheet 2 will display I2C components.

George Gollin
 University of Illinois at Urbana-Champaign
 2019

p398dlp_data_logger_sp2019_v01

2/8/19 2:56:09 PM

Sheet: 1/2



Nets that span sheets 1 and 2:
5V, GND, 7.5V_OUT, 7.5V_IN, I2C_SDA, I2C_SCL, DAC_OUT

A

A

B

B

C

C

D

D

I2C device	comment	address
BME680	T/RH/P/VOC sensor	0x76
DS3231	real time clock	0x68
INA219	battery voltage/current sensor	0x40
L3GD20H	Triple-Axis Gyro Breakout	0x6B
LSM9DS1	3 axis accel/magnetometer/gyro	0x1E
MCP4725	DAC, 12-bit	0x62
MLX90614	MLX90614 IR sensor	0x5A
MMA8451	2g accelerometer	0x1D
TCA9548A	I2C multiplexer	0x70
TSL2561	Luminosity/Lux/Light sensor	0x39 (need jumpers!)
VL53L0X	Time of Flight Distance Sensor	0x29

Sheet 1 will contain the Arduino and non-I2C parts.
Sheet 2 will display I2C components.

George Gollin
University of Illinois at Urbana-Champaign
2019

p398dlp_data_logger_sp2019_v01

2/8/19 2:56:09 PM

Sheet: 2/2