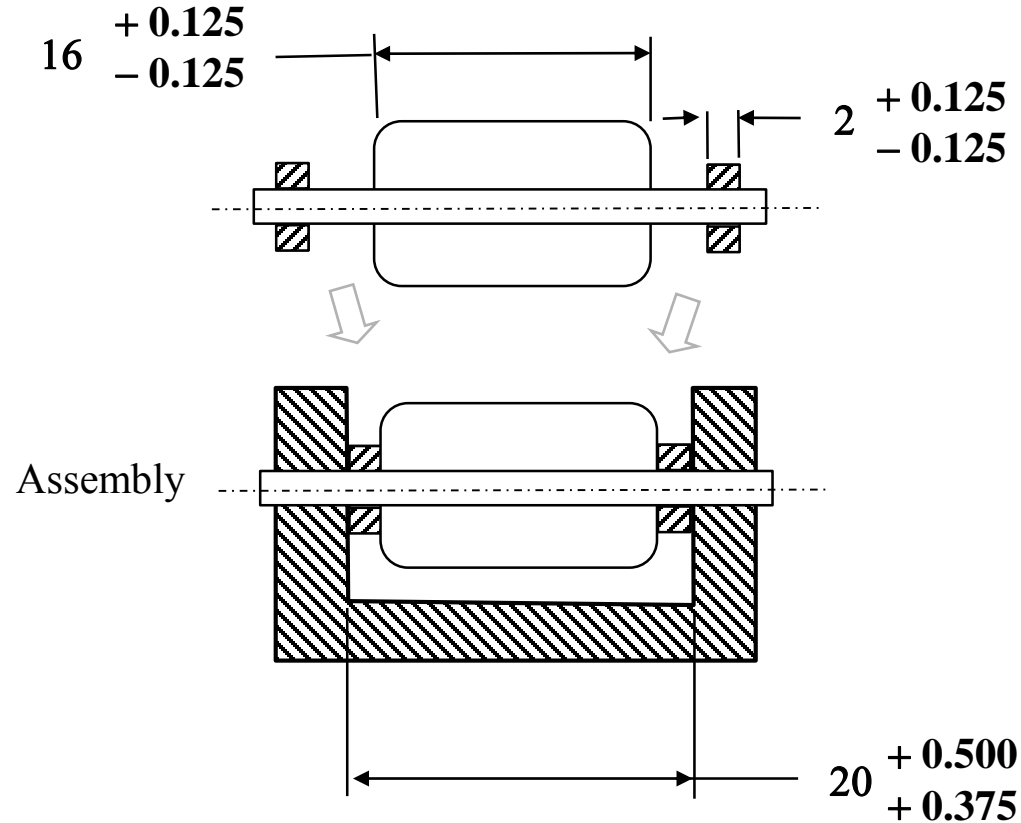


**Lecture Class Assignment #11 - Worst Case Tolerance -
shaft and spacer arrangement**

Name:

Section AB#:



1. What is the worst case clearance _____

2. What is the worst case allowance _____

Reminder:

Allowance = Smallest Hole – Largest Shaft

Clearance = Largest Hole – Smallest Shaft