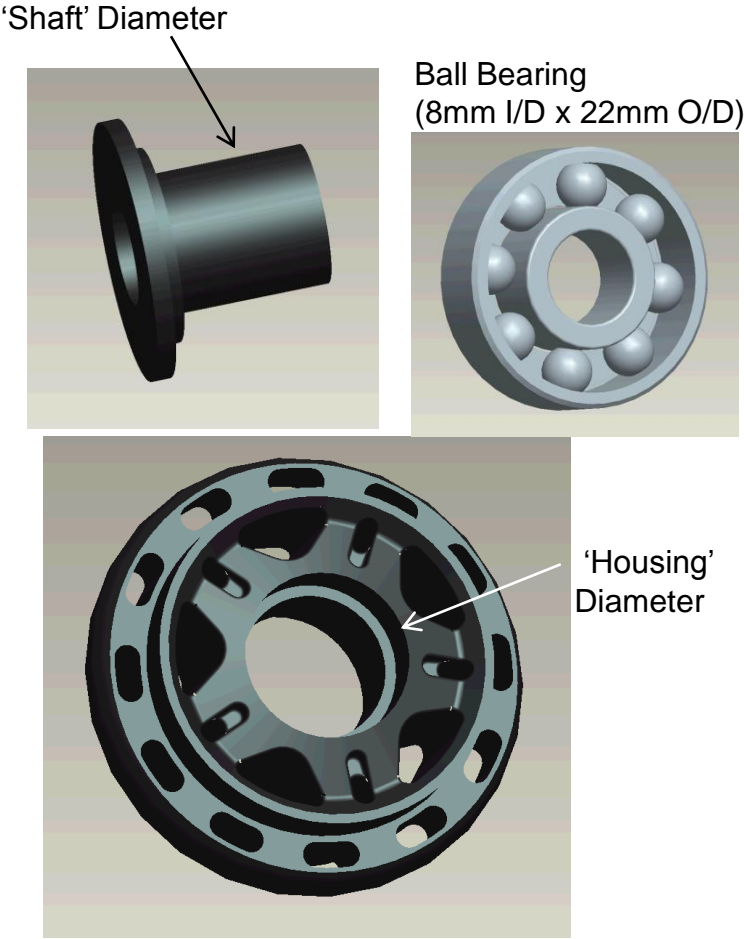
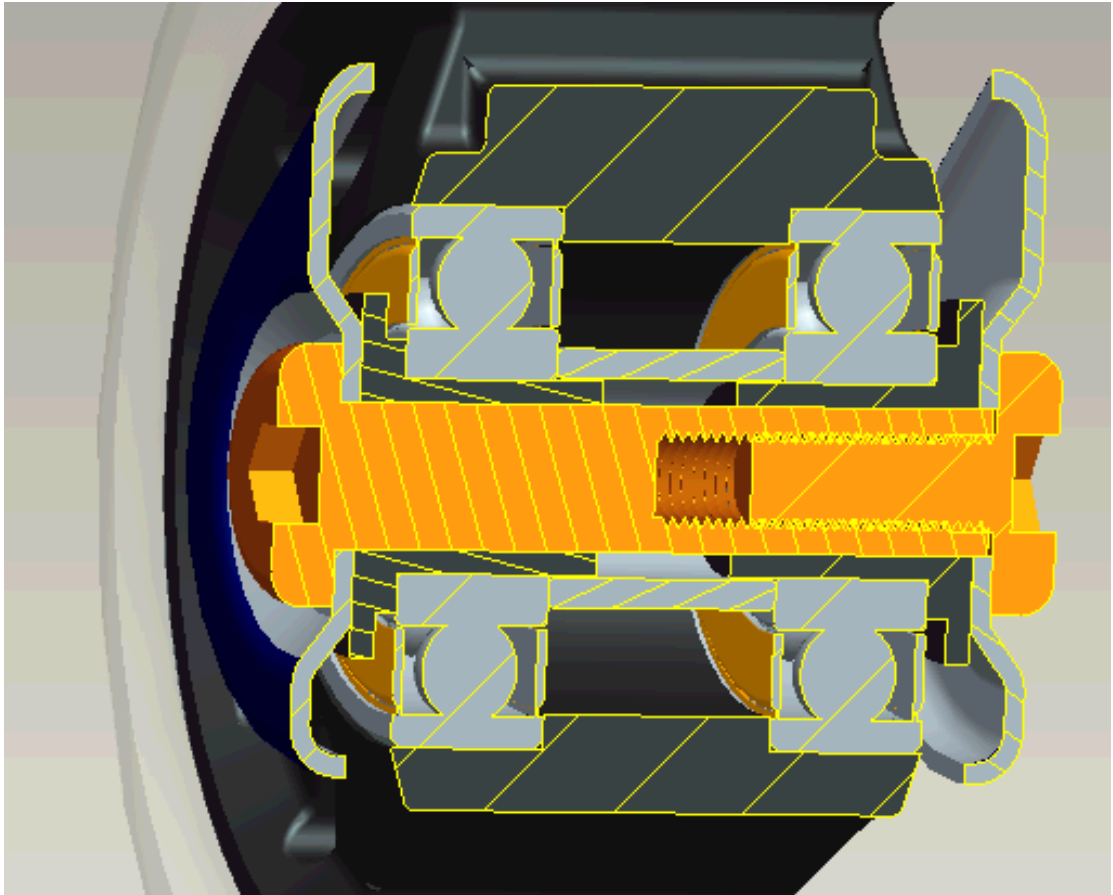


Lecture Class Assignment #10 – Tolerances – Ball Bearing fits

Name.....

Lab section.....



The Ball Bearing specifications say that it should be assembled into the housing with an “ISO Push Fit” and that the shaft should be inserted with an “ISO Press Fit”

1. Specify the dimensions for the shaft diameter (in ISO bilateral form):

2. Specify the dimensions for housing diameter (also in bilateral form):