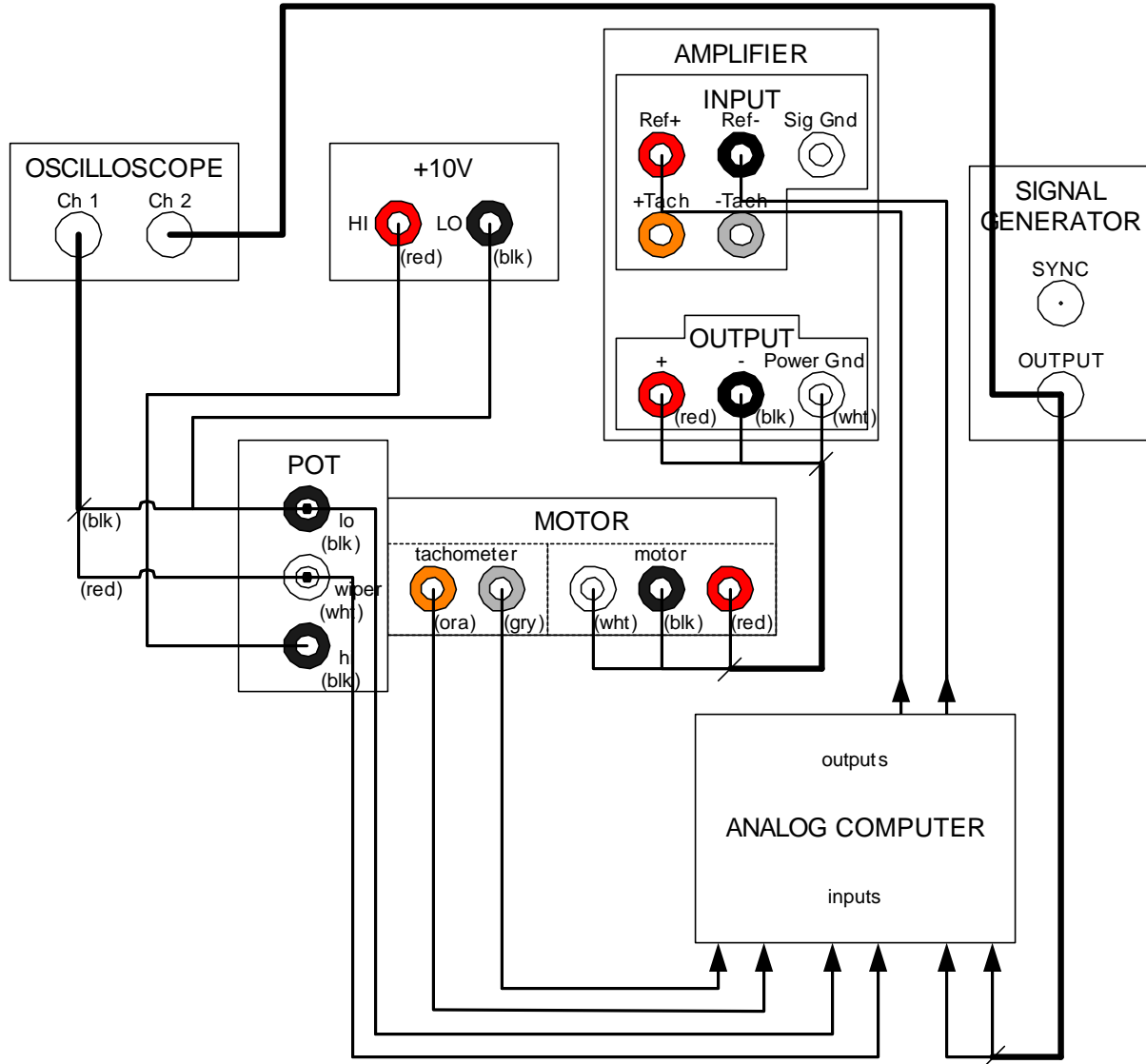


Lab 5: PD Control on Analog Computer and Wincon Wiring Diagrams

I. Closed-Loop Step Response Measurements with Analog Computer



Lab 5: PD Control on Analog Computer and Wincon Wiring Diagrams

II. Closed-Loop Step Response Measurements with Wincon

