

# Design Document

## Mesh Network Positioning System

— Team 5 —

Peter Giannetos

Noah Breit

— TA —

Michael Gamota

— Date —

13 February 2025

— Course —

ECE 445, Senior Design Laboratory  
University of Illinois Urbana Champaign

# Table of Contents

<b>1. Introduction</b>	<b>2</b>
1.1 Background	2
1.2 Solution	2
1.2.1 Overview	2
1.2.2 Additional Applications	2
1.3 Visual	3
1.4 High Level Requirements	3
<b>2. System Design</b>	<b>4</b>
2.1 Block Diagrams Detailed	4
Figure 3. Rover Node Detailed Diagram	4
2.2 Block Descriptions	5
2.2.1 Anchor	5
2.2.2 Rover	5
2.2.3 Power	5
2.2.4 Radios	5
2.2.5 User Interface	6
2.2.6 Sensors & Compute	6
2.2.7 Antennas	6
2.3 Tolerance Analysis	7
2.3.1 Calibration	7
2.3.2 Manufacturer Testing	7
2.3.3 External Testing	7
2.3.4 Tolerance Expectations	8
<b>3. Board Design</b>	<b>9</b>
3.1 Anchor Layout	9
3.2 Rover Layout	10
3.3 General Layout	10
<b>4. Mechanical Design</b>	<b>11</b>
<b>5. Cost Analysis</b>	<b>12</b>
5.1 Engineering Labor	12
5.2 Bill of Materials	12
5.3 Current Expenditures	12
<b>6. Ethics</b>	<b>13</b>
6.1 FCC Regulations	13
6.2 Tracking Assets	13
6.3 Feedback	13
<b>7. Safety</b>	<b>13</b>
7.1 Batteries	13
<b>8. Citations and References</b>	<b>14</b>
<b>Appendix A: Schematics</b>	<b>16</b>
<b>Appendix B: BOM Cost Analysis</b>	<b>17</b>

# 1. Introduction

## 1.1 Background

Spaceshot from the [Illinois Space Society](#) is working towards being one of the first collegiate teams to build and launch a completely student designed vehicle 100 kilometers to the edge of space; Also known as the Kármán line. Besides physically getting to space, a critical challenge is being able to prove that you reached space. Many commercial systems like Global Positioning Systems (GPS) are not operable in those extreme conditions. Suitable internal inertial navigation systems are cost prohibitive for amateur applications, and for mission critical applications multiple novel redundant methods are highly preferred. Therefore, a new method to reliably track objects and resolve their position in these extreme applications is needed.

*(Spaceshot recently broke the University's 7-year standing altitude record in June of 2024, and is looking to do so again in the summer of 2025. [Kairos II Launch](#))*

## 1.2 Solution

This project aims to create a novel off grid radio positioning system that can be used to track objects with the only limitation being link budget. Due to the practicality of testing to 100 km, this system will focus on creating the foundational hardware and software to track objects needed to track objects at long ranges at a cheaper price than available professional alternatives. However, for demonstration purposes the scope will be over much shorter ranges. In the future better antennas could be used to drastically extend range. Depending on progress this system may be flight tested at a launch in April.

### 1.2.1 Overview

There are two primary system components. Anchor nodes are stationary position reference nodes that then communicate with Rover nodes to resolve a Rover node's position. By timing the round trip call and response of a radio signal, the distance between transceivers can be calculated with the known speed of light constant. Using at minimum 3 ground based Anchor nodes with known positions, a moving Rover node can be sequentially pinged and its position calculated through trilateration. Rover nodes would be attached to the desired tracking assets of unknown position. Anchor nodes must also have synchronized time to allow for Time Division Multiple Access (TDMA) communication with an asynchronous Rover node.

### 1.2.2 Additional Applications

- Drone tracking
- Warehouse asset & robotics tracking
- Car tracking

## 1.3 Visual

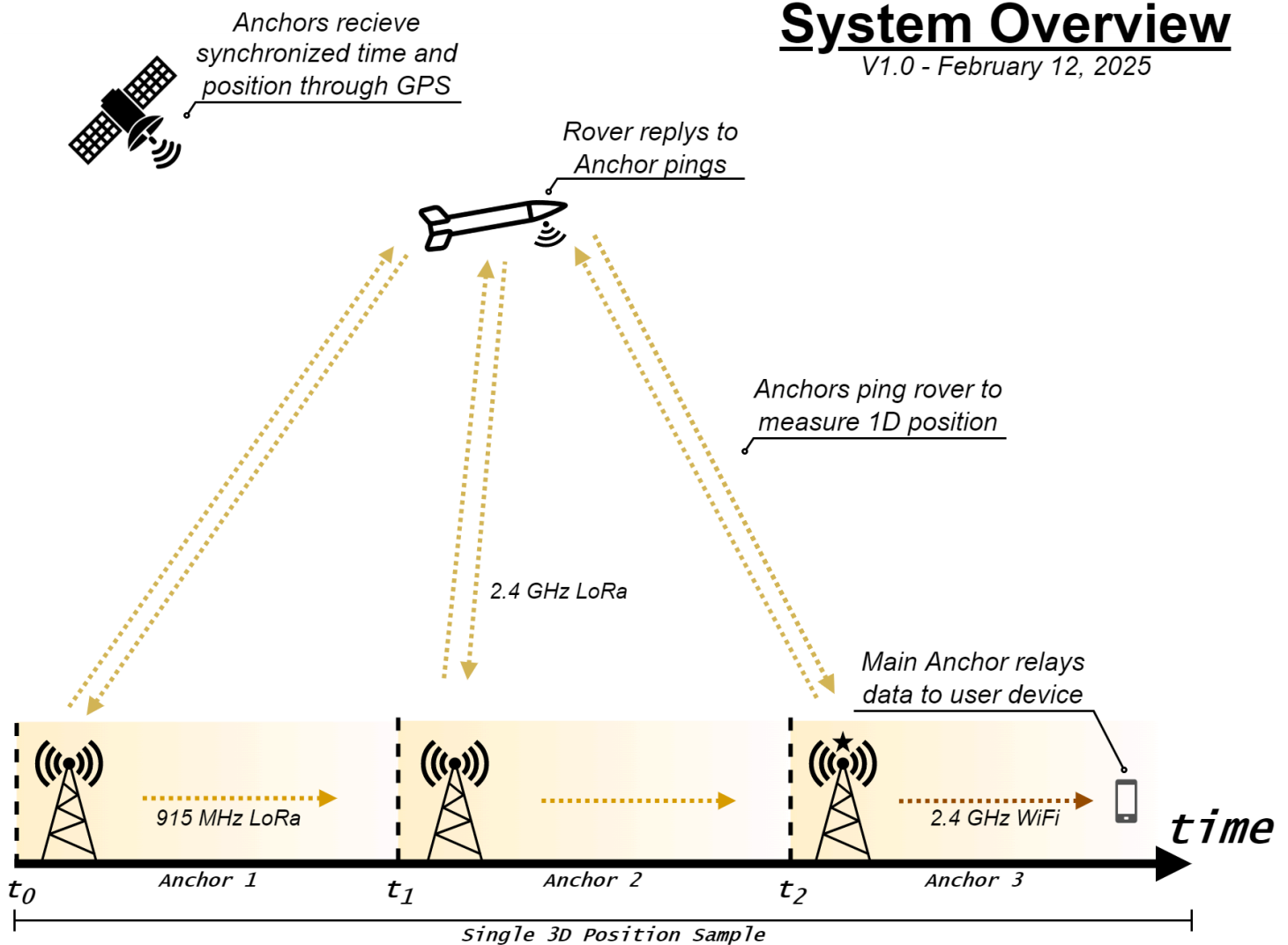


Figure 1. System Overview

## 1.4 High Level Requirements

1. Perform 3D trilateration of a Rover node at a minimum distance of 20 meters from at least one anchor node with a sample rate of at most 2 second. Sample rate is defined as the time period a position reading is resolved.
2. Relay barometer, GNSS, and at minimum one other data point to another node in the network with a latency of less than 2 seconds. Latency is defined as the time from an initial sensor reading to reception by another member of the network.
3. Publish position data to a local WiFi network in at most 5 seconds delay between receiving initial sensor or calculated data to receiving on WiFi.

# 2. System Design

## 2.1 Block Diagrams Detailed

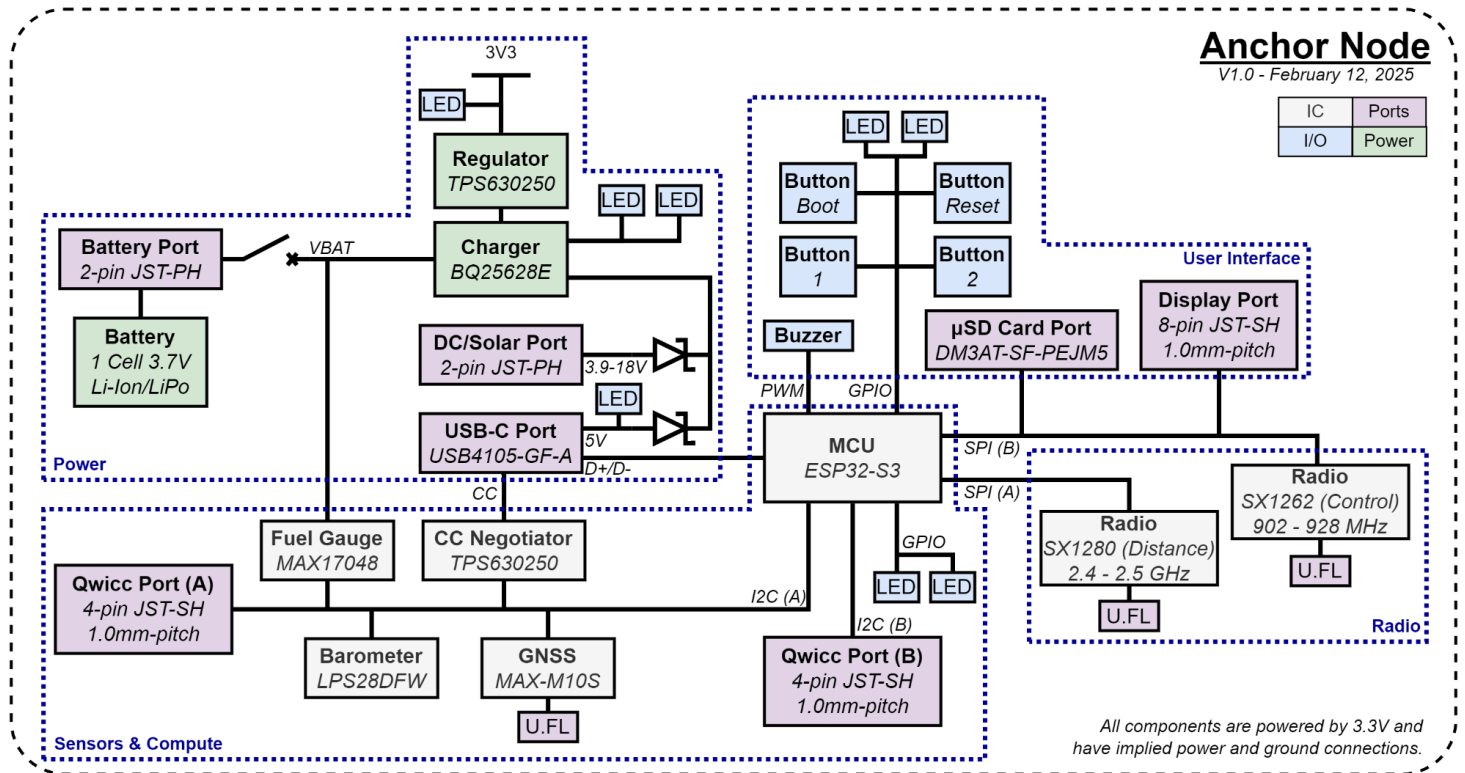


Figure 2. Anchor Node Detailed Diagram

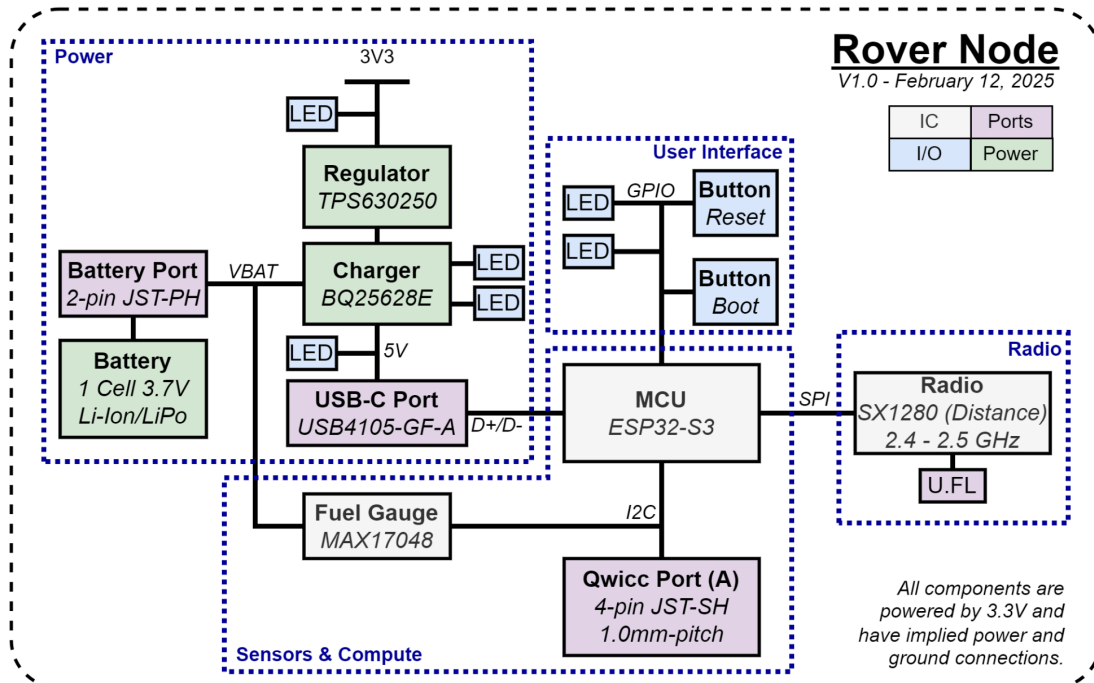


Figure 3. Rover Node Detailed Diagram

## 2.2 Block Descriptions

### 2.2.1 Anchor

Anchors are reference nodes with synchronized time and fixed positions. Schematics can be found in the appendix sections.

- *Requirement 1: Anchor nodes must have synchronized time with less than 200 ms offset*
- *Requirement 2: Anchor must be able to receive GPS transmissions at least once every two seconds*
- *Requirement 3: Anchor must have at least two status LEDs and at least one I2C expansion port*
- *Requirement 4: Anchor must be able to operate from 4.2V battery*
- *Requirement 5: Anchor must be able to determine altitude from two or more means (GPS & Barometer)*

### 2.2.2 Rover

Rovers are roaming nodes with unknown position or time attached to a tracking asset. Schematics can be found in the appendix sections.

- *Requirement 1: Nodes must automatically respond to Anchor ping requests in less than 500 $\mu$ s.*
- *Requirement 2: Rover must have at least two status LEDs and at least one I2C expansion port*
- *Requirement 3: Rover must be able to operate from ~3.3V battery*

### 2.2.3 Power

Each node is battery operated with the option to charge and power the device through a USB-C port. The BQ25628E controls power switching and battery charging. A thermistor is used to ensure the battery does not overheat during charging. For Anchor nodes an additional generic DC input port is available that can be used for solar panels or other power sources. It's able to optimize voltage draw for near maximum power draw and employs a buck-boost convert to ensure it outputs at most 4.5V. The TPS630250 regulates the input voltage to a stable 3.3V for all system components. Additionally a few debug LEDs for 3.3V, 5V, Power Good, and Charging are connected to these circuits. The goal is to enable portable deployments with seamless charging or extended usage in fixed locations.

- *Requirement 1: Voltage regulator must output 3.3V and supply 2A at maximum*
- *Requirement 2: Battery charger must be configurable with GPIO and resistors, or I2C*
- *Requirement 3: Battery charger must accept 1S 3.7V LiPo batteries and automatically switch between USB and battery power sources.*

### 2.2.4 Radios

Each node contains an SX1280 which has a built in ranging engine that is able to ping another radio and calculate the distance. This is then telegraphed over SPI to the user without the need for extensive timing and tuning of the radio front end. The SX1280's ease of use for ranging is what directly enables this project to maintain a focused and achievable scope. Anchor nodes also contain an SX1262 which serves as a command and control backbone for anchor nodes to share data while not congesting the primary ranging radios. The SX1280 uses 2.4 GHz LoRa and the SX1262 uses 915 MHz LoRa. LoRa enables low power usage yet longer ranges.

- *Requirement 1: Radio systems must use separate frequency bands to avoid congestion*

- *Requirement 2: Radios must occupy ISM bands for license free operation*
- *Requirement 3: Radios must use SPI or I2C for communication with MCU*

### 2.2.5 User Interface

Anchor and Rover nodes each contain boot and reset buttons for programming the microcontroller (MCU). However, Anchors which are not at a premium for space have additional buttons and a buzzer for the user to interact with and configure the devices. An optional display can also be added via the display port. Anchors feature a MicroSD card port to allow for long term data logging. Each node also has debug LEDs that are user programmable.

- *Requirement 1: MCU must have SPST buttons to enable programming*
- *Requirement 2: MicroSD card must interface with at most 32GB FAT32 cards over SPI*

### 2.2.6 Sensors & Compute

Each node has an ESP32-S3 MCU as the core control unit. These MCUs feature WiFi/Bluetooth connectivity for additional user interaction. Anchor nodes feature a GPS module for precise synchronized timing and deducing their own position and a fuel gauge to measure battery charge over time. A water resistant barometer is used to further resolve their vertical position. Anchors have a USB-C Configuration Channel (CC) negotiator to ensure proper USB power delivery.

- *Requirement 1: All sensors must communicate over at least one of the following protocols – SPI, I2C, PWM – and draw 3.3V.*
- *Requirement 2: Barometer must output a resolution of at least 1 meter*
- *Requirement 3: GPS module must output 1 Hz time pulse and position within 3 meters*
- *Requirement 4: Fuel gauge must read cell voltage and communicate over at least one of the following protocols – SPI, I2C, PWM*
- *Requirement 4: MCU have a clock speed greater than 100 MHz and communicate over all of the following protocols – SPI, I2C, PWM – to interface with all modules.*

### 2.2.7 Antennas

Rover nodes only have one antenna that will require a U.FL connector. Depending on their space constraints patch antennas will most likely be the optimal solution. Anchor nodes also have three U.FL connectors. An internal active patch GPS antenna will be mounted inside the case, while two U.FL to SMA bulkhead adapters will be mounted through the case wall. This will enable the user to switch antennas for their specific needs.

In regular usage omnidirectional antennas for the 915 MHz and 2.4 GHz LoRa radios can be used, but if long range usage is required more directional antennas may be used. The MCU's have an embedded antenna for WiFi/Bluetooth connectivity.

## 2.3 Tolerance Analysis

One key aspect of our design is ensuring 1D ranging accuracy provided by each SX1280 module. There are a multitude of ways ranging could be degraded such as multipath reflections and doppler shift caused by high velocity tracking assets. However, calibration of the SX1280 to account for different RF front ends is the most prevalent for mitigating error and the focus of this tolerance analysis.

### 2.3.1 Calibration

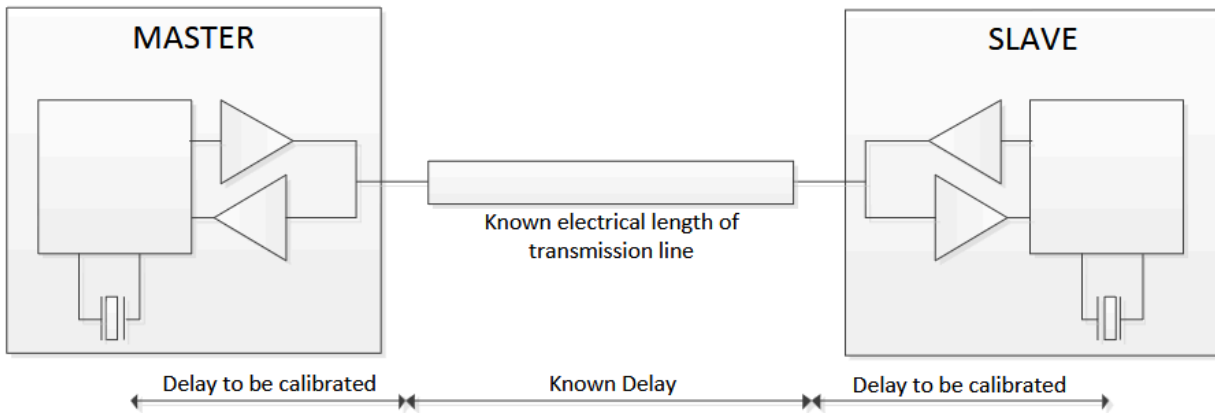


Figure 4. [6] Semtech, Ranging Calibration Setup

Using a coax cable of known length the system delay can be isolated to just the RF front end of the ranging devices. This offset would then be applied to future ranging measurements.

$$D_{uncalibrated} = (RangeResult \times D_{LSB})/2$$

$$D_{calibrated} = (D_{uncalibrated} - D_{cable})/2$$

$$Calibration = D_{calibrated} / D_{LSB}$$

Additionally, outdoor line of sight measurements can be conducted when the nodes are separated at known fixed distances. Their measured vs actual error can be calculated and then applied as a linear offset. More advanced offsets could also be used if you take into account alternate frequencies and LoRa parameters.

### 2.3.2 Manufacturer Testing

Semtech, the manufacturer of the SX1280, conducted outdoor 1D range testing after calibration at a distance of 170 meters with an estimated error of less than 4 meters for single sample pings, and less than 1 meter accuracy for larger sample ping sizes of 70.

### 2.3.3 External Testing

Additional 1D testing conducted by Stuart Robinson has revealed an error rate of about 0.2% at 40.65 kilometers [16]. Robinson was also able to achieve a measured ground distance of 89.237 km [16] with a small directional antenna; Further suggesting this system's potential for ranges in excess of 100 km.



### 2.3.4 Tolerance Expectations

Ultimately, the team expects to achieve relatively high positional accuracy. However without the ability to test the system they are hesitant to guarantee a specific error tolerance. External testing has revealed the SX1280 can be highly accurate, but it is to be seen if similar accuracy can scale down to shorter distances of around 25 meters for the purposes of a demonstration. With this in mind, the team is expecting less than a 10% 1D distance error.

<b>Expected Accuracy</b>		
<b>Semtech Test</b>	<b>Robinson Test</b>	<b>Expected</b>
170 m	40.65 km	30 m
2.23%	0.20%	10%

Table 1. Expected Accuracy From Tolerance Analysis

# 3. Board Design

## 3.1 Anchor Layout

Anchors were designed with all parts to be on the front side to allow for quicker assembly and reduce pick and place costs for machine assembled orders. All user I/O is located near the edges to be easily accessed in a case. The RF section is also spaced from the power regulators to try and mitigate noise. The back layer is used as a vertical bridge to connect the MCU to the upper section of the board.

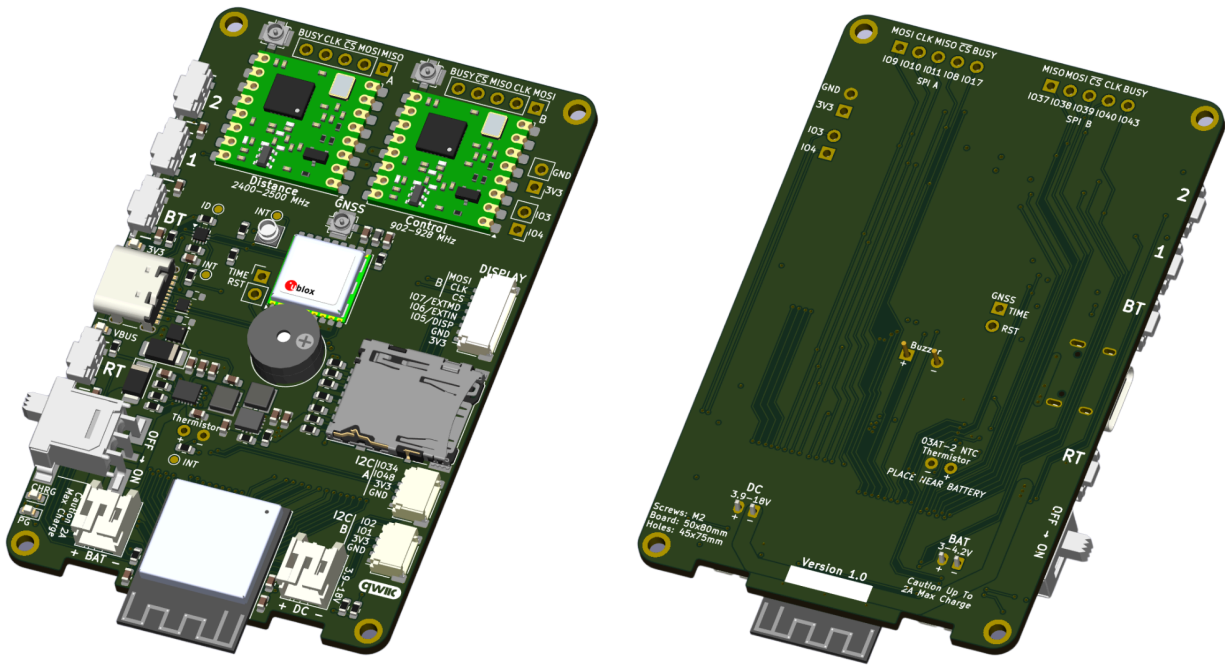


Figure 5. Anchor Node 3D View (Front: L Back: R)

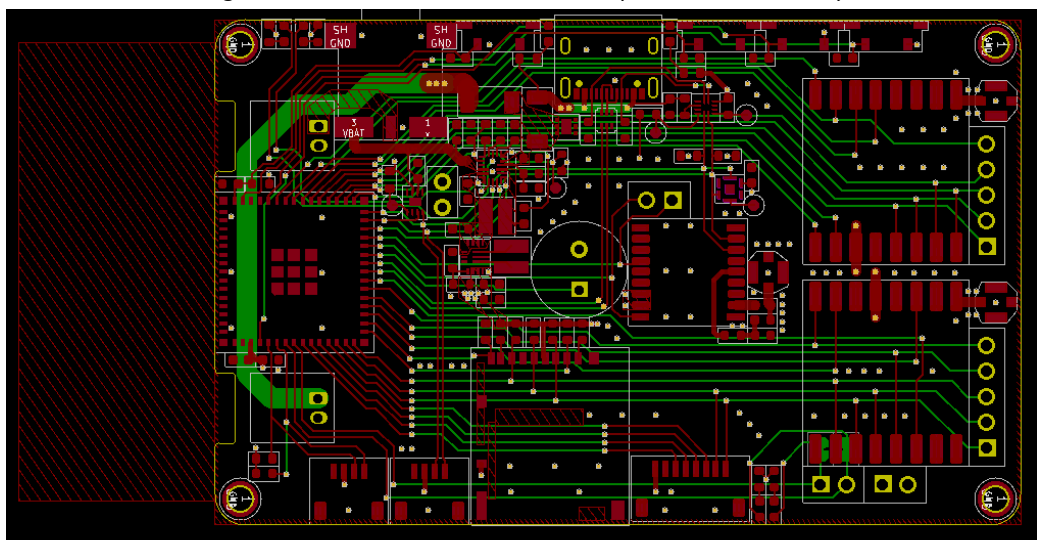


Figure 6. Anchor Routing

## 3.2 Rover Layout

Unlike Anchors, Rovers are extremely space constrained to optimize their placement on tracking assets. Therefore, they have parts on both sides. Only two screw holes are used to save space since the boards have little mass. Similarly user I/O is located near the edges

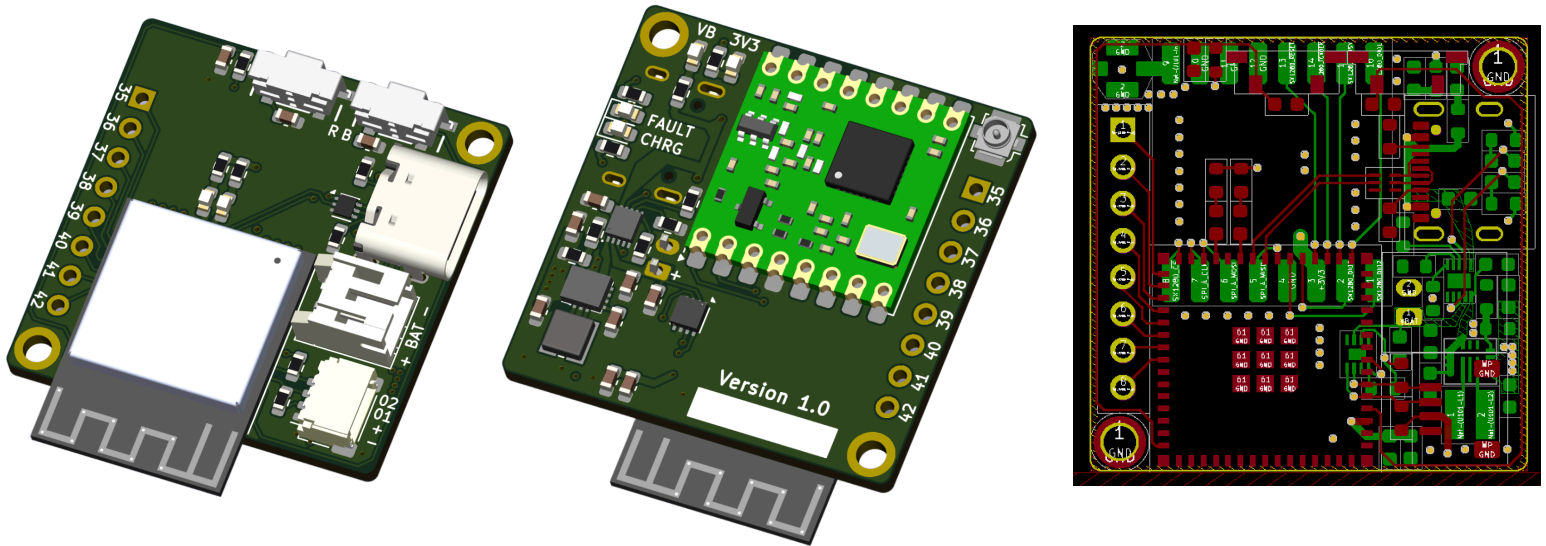


Figure 7. Rover 3D View (Front: L Back: C) & Routing (Right)

## 3.3 General Layout

Each board is four layers and follows a similar stackup plan. The front and back layers are used primarily for data signal (SIG) traces, and the inner layers are reserved for power. The only difference is the location of the ground (GND) plane which is immediately underneath the layer with RF traces. Anchors have all RF components on the front while Rovers have all RF traces on the back. This allows for 50Ω impedance controlled boards with specific trace widths.

Board Layer Stack		
Layer	Anchor	Rover
F.Cu	GND	GND
In1.Cu	GND	+3.3V
In2.Cu	+3.3V	GND
B.Cu	GND	GND

Table 2. Board Layers

## 4. Mechanical Design

All mechanical design is focused on Anchor nodes as Rover nodes will be mounted to the tracking asset while Anchor nodes are free standing across the tracking area.

Board Dimensions (mm)		
Layer	Anchor	Rover
Edges (W x L)	50 x 80	30 x 30
M2 Holes (W x L)	45 x 75	26 x 26

Table 3. Board Dimensions

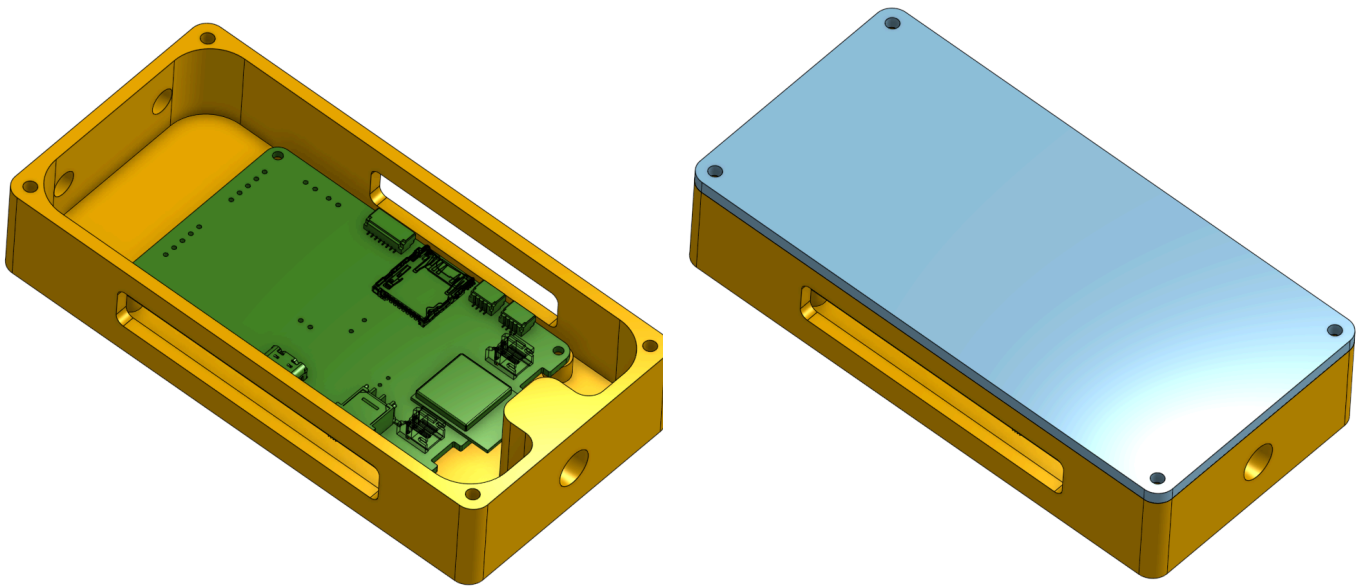


Figure 8. Anchor Case and Lid

The Anchors and a flat cell battery will sit inside of a 3D printed case to protect them from the outdoors while still allowing access for the user I/O. There will be rubber covers around the ports which are not depicted. More importantly these cases also act as a strain relief on the SMA cables used to attach the two radio antennas. The GPS antenna will be placed inside the case. Additionally, each case will have a tripod mounting hole to allow for easy setup in the field.



Figure 9. Tripod Stand

## 5. Cost Analysis

### 5.1 Engineering Labor

Engineering Labor Cost				
Engineers	Hours/Week	Wage/Hour	Weeks	Total
2	2	\$33	12	\$1,584

Table 4. Engineering Labor Cost

### 5.2 Bill of Materials

A more detailed cost breakdown per board can be found in the appendix section. These prices are strictly for a single node.

Node Cost	
Anchor	Rover
\$74.0597	\$21.2389
Assumes MOQ part price but only counts consumed parts.	

Table 5. Node Cost

### 5.3 Current Expenditures

With all the parts needed to assemble three Anchors and one Rover node not many expenditures are expected unless soldering issues are encountered. The only remaining orders include parts to mount the Anchor nodes into their mechanical enclosures with a total of \$150 estimated for M2 screws, M2 heat inserts, TPU filament, and tripods.

Current Expenditures		
Type	Cost	Description
Amazon	\$73.20	Development Board
LCSC	\$129.27	PCB Parts 1st Round
Mouser	\$81.88	PCB Parts 1st Round
Digi-Key	\$31.20	PCB Parts 1st Round
Digi-Key	\$75.27	PCB Parts 2nd Round
Data Alliance	\$96.13	RF Adapters & Antennas
<b>Total</b>	<b>\$486.95</b>	

Table 6. Current Expenditures

## 6. Ethics

### 6.1 FCC Regulations

We will follow all FCC regulations that concern the ISM Band, provided here: [eCFR :: 47 CFR Part 18 -- Industrial, Scientific, and Medical Equipment](#)[18][19][20], as they relate to our RF equipment such as general practices and spectrum usage.

### 6.2 Tracking Assets

All assets being tracked will be owned by the team and not another individual without their explicit consent.

### 6.3 Feedback

As this is an experimental project we plan to maintain an open mind when creating this novel system by listening to ideas given from mentors, course staff, students, and others throughout the project. We will take notes in their lab notebook on any feedback received to ensure it is properly documented and considered.

## 7. Safety

### 7.1 Batteries

Following the *Safe Practice for Lead Acid and Lithium Batteries* guidelines all batteries will be charged in their recommended conditions, and stored in a flammables cabinet when not in use. When handling batteries they will be treated with care and monitored for degradation. If disposal is needed batteries will be left in the battery cabinet until proper disposal is available.

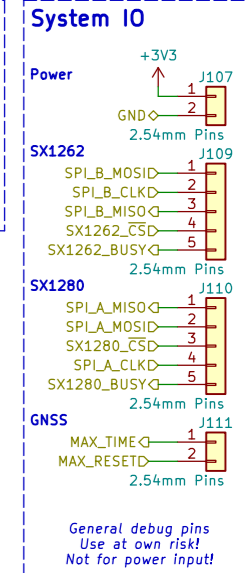
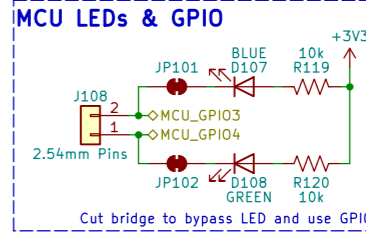
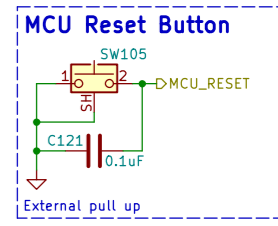
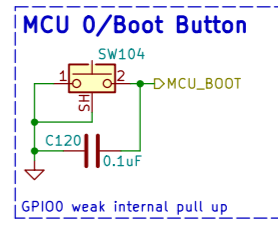
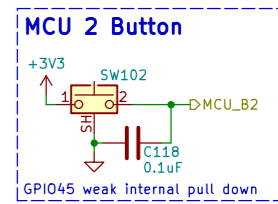
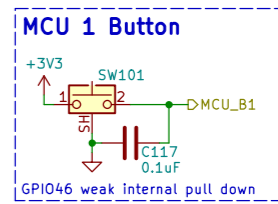
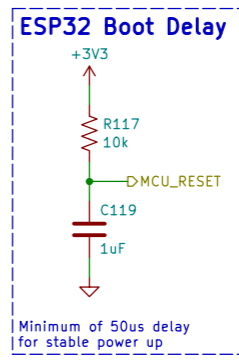
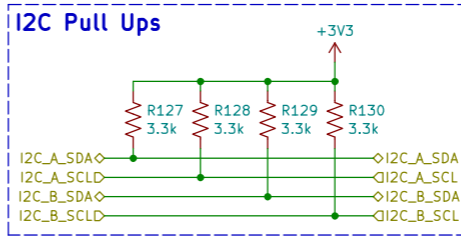
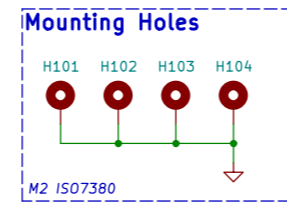
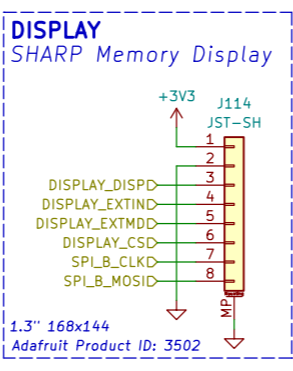
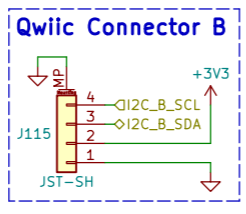
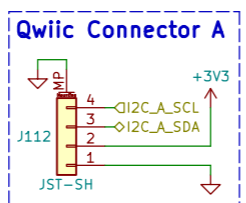
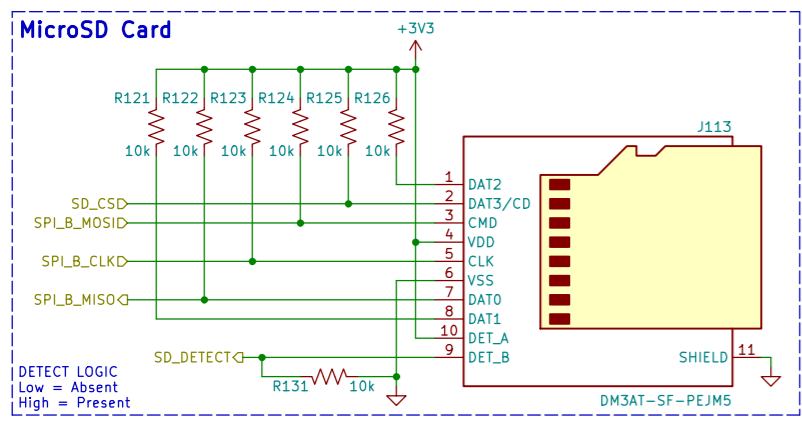
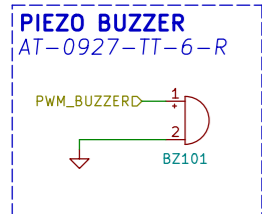
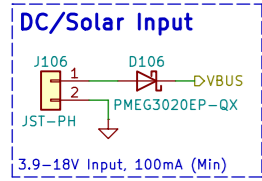
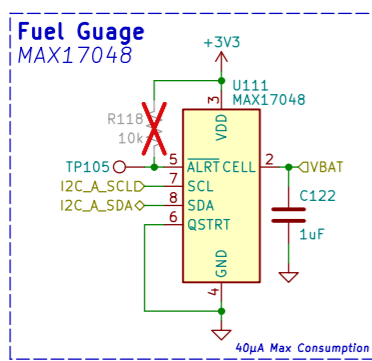
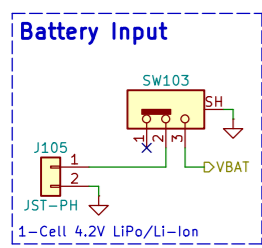
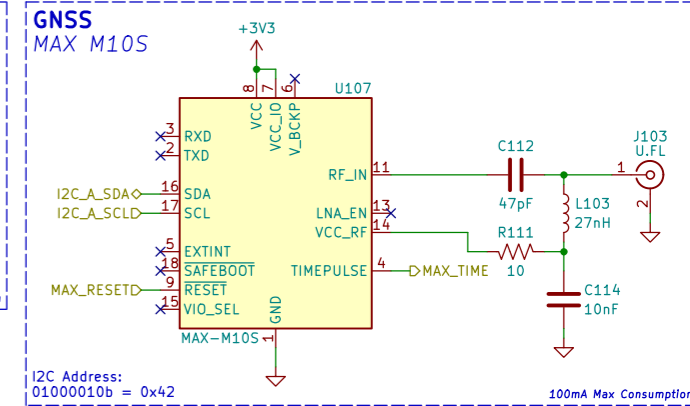
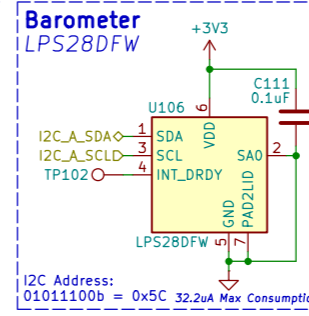
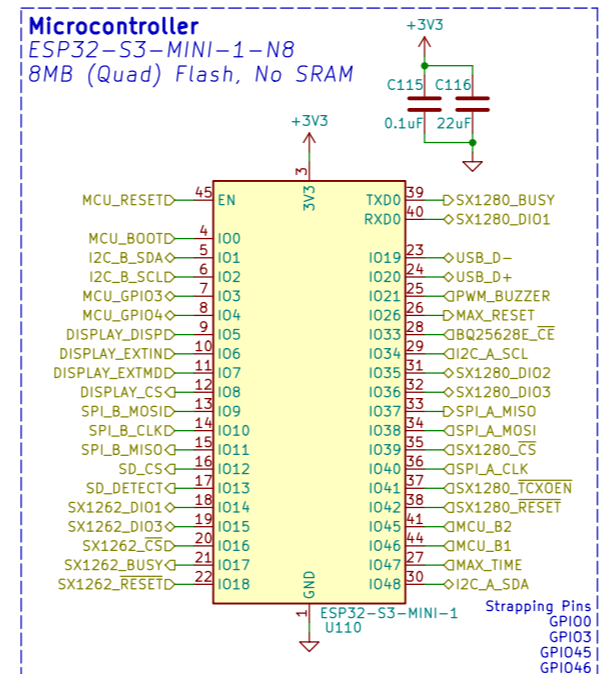
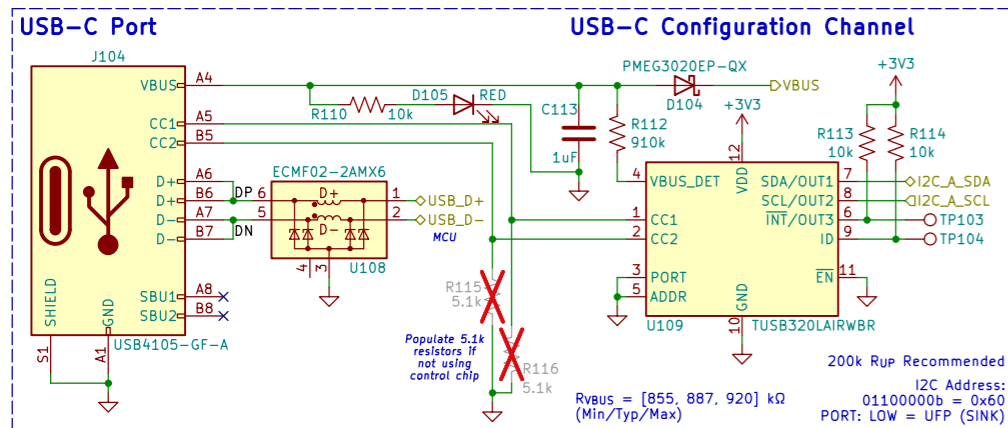
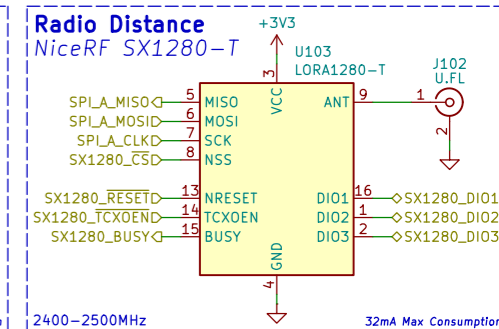
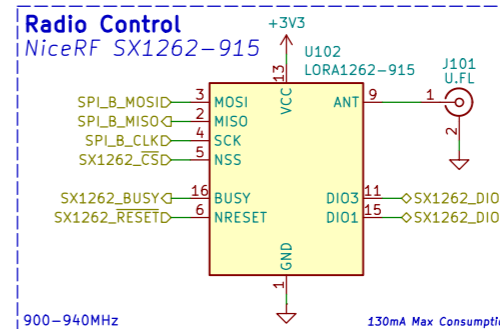
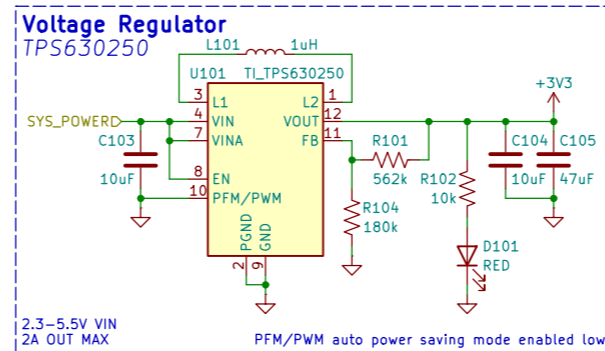
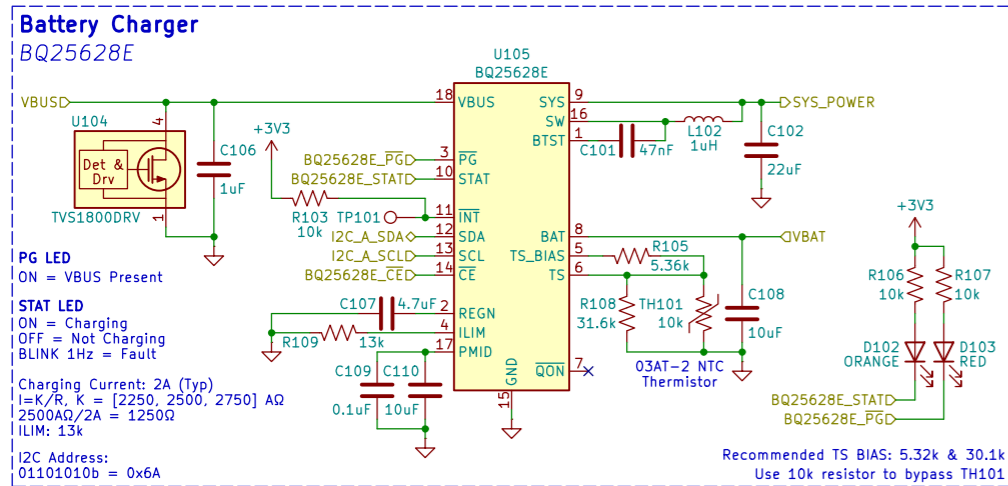
## 8. Citations and References

- [1] IEEE, "IEEE Code of Ethics," IEEE, [Online]. Available: <https://www.ieee.org/about/corporate/governance/p7-8.html>, Accessed: Feb. 10, 2025.
- [2] ACM, "ACM Code of Ethics and Professional Conduct," ACM, [Online]. Available: <https://www.acm.org/code-of-ethics>, Accessed: Feb. 10, 2025.
- [3] Semtech, "AN1200.29 Introduction to Ranging with the SX1280 Transceiver", Semtech, [Online]. Available: [https://semtech.my.salesforce.com/sfc/p/#E0000000JelG/a/3n000000I9OZ/Kw7ZeYZuAZW3Q4A3R\\_IUjhYCQ EJxkuLrUgl\\_GNNhuUo](https://semtech.my.salesforce.com/sfc/p/#E0000000JelG/a/3n000000I9OZ/Kw7ZeYZuAZW3Q4A3R_IUjhYCQ EJxkuLrUgl_GNNhuUo), Accessed: Feb. 11, 2025.
- [4] Semtech, "AN1200.80 LoRa Doppler Immunity", Semtech, [Online]. Available: <https://semtech.my.salesforce.com/sfc/p/#E0000000JelG/a/3n000000I9JA/FoljLVxAx4xp3Wh5xvvX3B9PWTw.S7R.YPZHazMzBo>, Accessed: Feb. 11, 2025.
- [5] Semtech, "AN1200.50 SX1280 Ranging Protocol and Result Processing", Semtech, [Online]. Available: [https://semtech.my.salesforce.com/sfc/p/#E0000000JelG/a/2R000000UypY/5mprGH6TIzeLnfosUgj1xK5ftoqDp oCnRk\\_dzY\\_jAx4](https://semtech.my.salesforce.com/sfc/p/#E0000000JelG/a/2R000000UypY/5mprGH6TIzeLnfosUgj1xK5ftoqDp oCnRk_dzY_jAx4), Accessed: Feb. 11, 2025.
- [6] Semtech, "Introduction to Ranging with the SX1280 Transceiver", Semtech, [Online]. Available: [https://semtech.my.salesforce.com/sfc/p/#E0000000JelG/a/44000000MDiH/OF02Lve2RzM6pUw9gNgSJXbDN aQJ\\_NtQ555rLzY3UvY](https://semtech.my.salesforce.com/sfc/p/#E0000000JelG/a/44000000MDiH/OF02Lve2RzM6pUw9gNgSJXbDN aQJ_NtQ555rLzY3UvY), Accessed: Feb. 11, 2025.
- [7] Jamie Smith, "The Lightspeed Rangefinder," EngrXiv Preprints, Accessed: Feb. 11, 2025. [Online]. Available: <https://engrxiv.org/preprint/download/1655/version/2524/3401/2512>
- [8] u-blox, "MAX-M10S Data sheet," u-blox, Apr. 8, 2024. [Online]. Available: [https://content.u-blox.com/sites/default/files/MAX-M10S\\_DataSheet\\_UBX-20035208.pdf](https://content.u-blox.com/sites/default/files/MAX-M10S_DataSheet_UBX-20035208.pdf), Accessed: Feb. 11, 2025.
- [9] Espressif Systems, "ESP32-S3-MINI-1 & ESP32-S3-MINI-1U Datasheet," Version 1.3, Espressif Systems, Mar. 7, 2023. [Online]. Available: [https://www.espressif.com/sites/default/files/documentation/esp32-s3-mini-1\\_mini-1u\\_datasheet\\_en.pdf](https://www.espressif.com/sites/default/files/documentation/esp32-s3-mini-1_mini-1u_datasheet_en.pdf), Accessed: Feb. 11, 2025.
- [10] Texas Instruments, "BQ25628E I2C Controlled 1-Cell, 2A, Maximum 18V Input, Buck Battery Charger with NVDC Power Path Management," BQ25628E datasheet, Jul. 2023. [Online]. Available: <https://www.ti.com/lit/ds/symlink/bq25628e.pdf>, Accessed: Feb. 11, 2025.
- [11] Texas Instruments, "TPS630250: High-Efficiency Buck-Boost Converter," Texas Instruments, [Online]. Available: <https://www.ti.com/product/TPS630250>, Accessed: Feb. 15, 2025.
- [12] Semtech, "SX1261/2 Datasheet", Semtech, [Online]. Available: <https://semtech.my.salesforce.com/sfc/p/#E0000000JelG/a/2R000000Un7F/yT.fKdAr9ZAo3cJLc4F2cBdUsMftp T2vsOICP7NmvmMo>, Accessed: Feb. 11, 2025.

- [13] STMicroelectronics, "LPS28DFW - Dual full-scale, 1260 hPa and 4060 hPa, absolute digital output barometer with water-resistant package," LPS28DFW datasheet, Dec. 2021. [Online]. Available: <https://www.st.com/resource/en/datasheet/lps28dfw.pdf>, Accessed: Feb. 11, 2025.
- [14] Analog Devices, "MAX17048/MAX17049 3 $\mu$ A 1-Cell/2-Cell Fuel Gauge with ModelGauge m3," MAX17048/MAX17049 datasheet, Rev. 5, Jan. 2023. [Online]. Available: <https://www.analog.com/media/en/technical-documentation/data-sheets/MAX17048-MAX17049.pdf>, Accessed: Feb. 11, 2025.
- [15] Texas Instruments, "TUSB320LAI, TUSB320HAI USB Type-C Configuration Channel Logic and Port Control," TUSB320LAI datasheet, May 2017. [Online]. Available: <https://www.ti.com/lit/ds/symlink/tusb320lai.pdf>, Accessed: Feb. 11, 2025.
- [16] Robinson, S. (GW7HPW), "SX1280\_Testing: Semtech SX1280 2.4ghz LoRa Ranging Transceivers," GitHub repository, Apr. 2019. [Online]. Available: [https://github.com/StuartsProjects/SX1280\\_Testing](https://github.com/StuartsProjects/SX1280_Testing), Accessed: Feb. 11, 2025.
- [17] ECE 445 Course Staff, "Safe Practice for Lead Acid and Lithium Batteries," University of Illinois, ECE 445: Senior Design Project Laboratory, Rev. D, Apr. 13, 2016. [Online]. Available: <https://courses.grainger.illinois.edu/ece445/documents/GeneralBatterySafety.pdf>, Accessed: Feb. 11, 2025.
- [18] Federal Communication Commission, "The Federal Register," Code of Federal Regulations, Title 47, Chapter I, Subchapter A, Part 18, Subpart C, Section 18.111. [Online]. Available: <https://www.ecfr.gov/current/title-47/chapter-I/subchapter-A/part-18/subpart-C/section-18.111>. Accessed: Mar. 6, 2025.
- [19] Federal Communication Commission, "The Federal Register," Code of Federal Regulations, Title 47, Chapter I, Subchapter A, Part 18, Subpart C, Section 18.301. [Online]. Available: <https://www.ecfr.gov/current/title-47/chapter-I/subchapter-A/part-18/subpart-C/section-18.301>. Accessed: Mar. 6, 2025.
- [20] Federal Communication Commission, "The Federal Register," Code of Federal Regulations, Title 47, Chapter I, Subchapter A, Part 18, Subpart C, Section 18.311. [Online]. Available: <https://www.ecfr.gov/current/title-47/chapter-I/subchapter-A/part-18/subpart-C/section-18.311>. Accessed: Mar. 6, 2025.



# Appendix A: Schematics



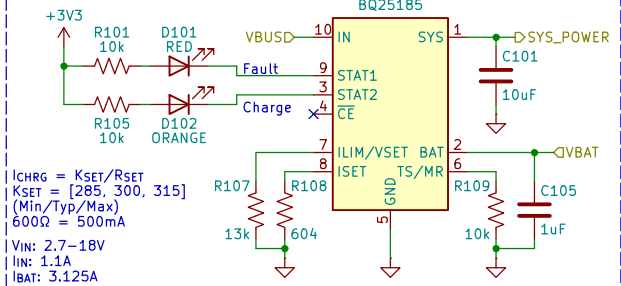
Author: Peter Giannetos

Sheet: /  
File: Anchor.kicad\_sch

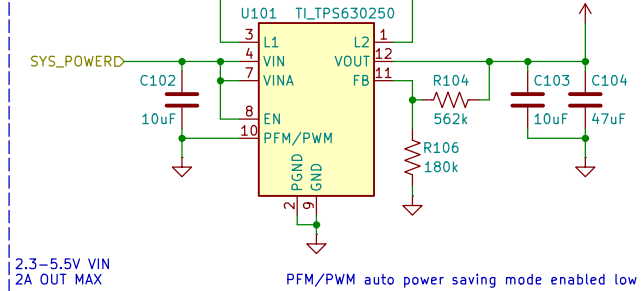
**Title: Anchor Node**

Size: A3 Date: 2025-01-28 Rev: A  
KiCad E.D.A. 8.0.7 Id: 1/1

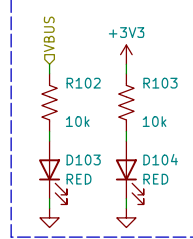
### Battery Charger



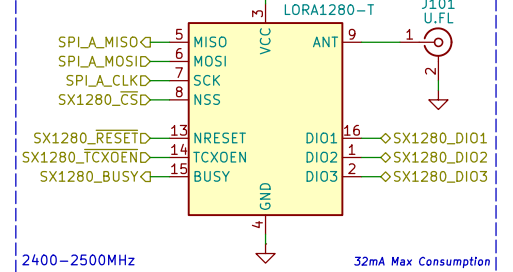
### Voltage Regulator



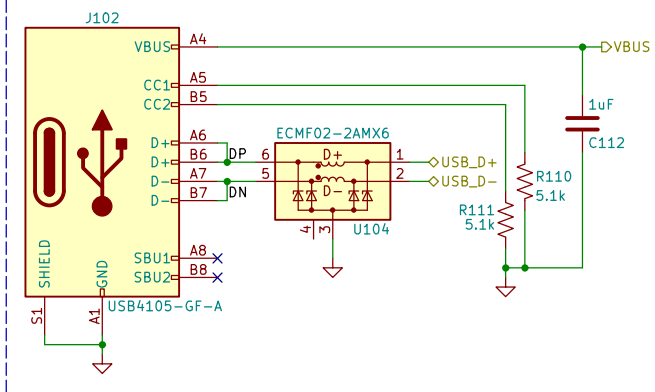
### Power LEDs



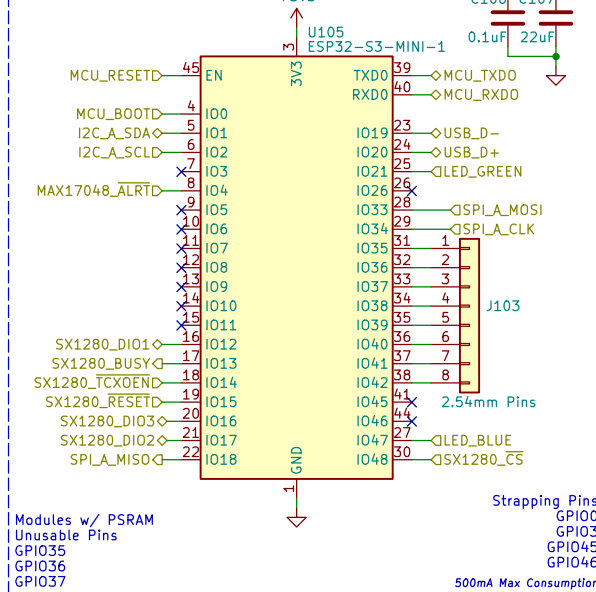
### Radio Distance



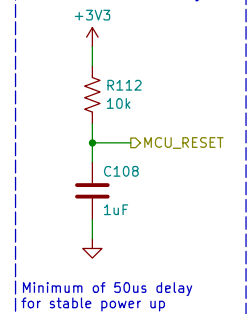
### USB-C Port



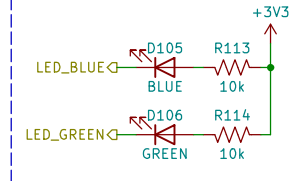
### Microcontroller



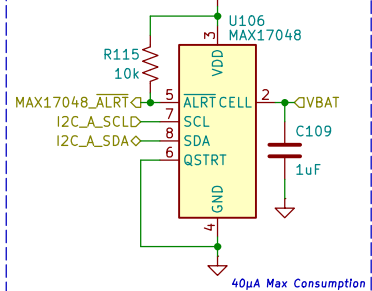
### MCU Boot Delay



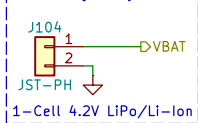
### MCU LEDs



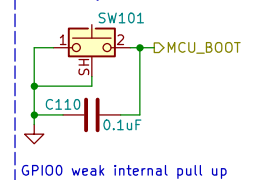
### Fuel Gauge



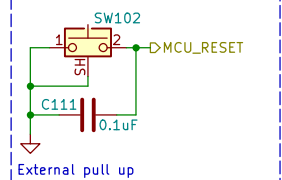
### Battery Input



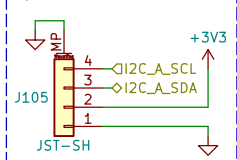
### MCU 0/Boot Button



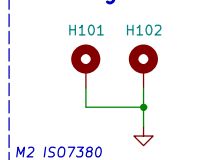
### MCU Reset Button



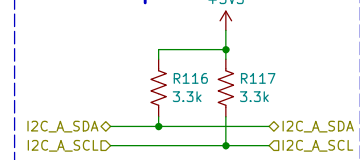
### Qiic Connector A



### Mounting Holes



### I2C Pull Ups



Author: Peter Giannetos

Sheet: /  
File: Rover.kicad\_sch

**Title: Rover Node**

Size: A4 Date: 2025-01-28

KiCad E.D.A. 8.0.7

Rev: A

Id: 1/1

# Appendix B: BOM Cost Analysis

Reference (A)	Reference (R)	Value	Qty (A)	Qty (R)	MPN	Link	MOQ	Cost	Distributor	DPN
BZ101		Buzzer	1		AT-0927-TT-6-R	<a href="https://w">https://w</a>	1	\$0.8700	Mouser	665-AT0927TT6R
C101		47nF	1		CGA0603X7R473J500JT	<a href="https://w">https://w</a>	100	\$0.0029	LCSC	C36911405
C102, C116	C107	22uF	2	1	CL10A226MQ8NRNC	<a href="https://w">https://w</a>	20	\$0.0074	LCSC	C59461
C103, C104, C108, C110	C101, C102, C103	10uF	4	3	CGA0603X5R106M250JT	<a href="https://w">https://w</a>	50	\$0.0144	LCSC	C6119874
C105	C104	47uF	1	1	CL10A476MQ8QRNC	<a href="https://w">https://w</a>	10	\$0.0438	LCSC	C730416
C106, C113, C119, C122	C105, C108, C109, C112	1uF	4	4	CGA0603X5R105K250JT	<a href="https://w">https://w</a>	100	\$0.0035	LCSC	C6119818
C107		4.7uF	1		CL10A475KQ8NNNC	<a href="https://w">https://w</a>	50	\$0.0037	LCSC	C8032
C109, C111, C115, C117, C118, C120, C121	C106, C110, C111	0.1uF	7	3	TCC0603X7R104J500CT	<a href="https://w">https://w</a>	100	\$0.0030	LCSC	C282518
C112		47pF	1		FN18N470J500PSG	<a href="https://w">https://w</a>	100	\$0.0023	LCSC	C525253
C114		10nF	1		CC0603JRX7R8BB103	<a href="https://w">https://w</a>	100	\$0.0037	LCSC	C519510
D101, D103, D105	D101, D103, D104	RED	3	3	XL-1608SURC-06	<a href="https://w">https://w</a>	100	\$0.0029	LCSC	C965799
D102	D102	ORANGE	1	1	YLED06030	<a href="https://w">https://w</a>	100	\$0.0053	LCSC	C19273153
D104, D106		PMEG3020EP-QX	2		PMEG3020EP-QX	<a href="https://w">https://w</a>	1	\$0.4500	Mouser	771-PMEG3020EP-QX
D107	D105	BLUE	1	1	NCD0603B1	<a href="https://w">https://w</a>	50	\$0.0142	LCSC	C84266
D108	D106	GREEN	1	1	PSC-1608U52GC-G4	<a href="https://w">https://w</a>	50	\$0.0078	LCSC	C22371297
J101, J102, J103	J101	U.FL	3	1	734120110	<a href="https://w">https://w</a>	1	\$0.3463	LCSC	C434806
J104	J102	USB4105-GF-A	1	1	USB4105-GF-A	<a href="https://w">https://w</a>	1	\$0.7400	Mouser	640-USB4105-GF-A
J105, J106	J104	JST-PH	2	1	S2B-PH-K-S	<a href="https://w">https://w</a>	1	\$0.1000	Digi-Key	455-1719-ND
J112, J115	J105	JST-SH	2	1	SM04B-SRSS-TB(LF)(SN)	<a href="https://w">https://w</a>	5	\$0.1685	LCSC	C160404
J113		DM3AT-SF-PEJM5	1		DM3AT-SF-PEJM5	<a href="https://w">https://w</a>	1	\$2.6600	Mouser	798-DM3AT-SF-PEJM5
J114		JST-SH	1		SM08B-SRSS-TB(LF)(SN)	<a href="https://w">https://w</a>	5	\$0.2351	LCSC	C160407
L101, L102	L101	1uH	2	1	74438336010HT	<a href="https://w">https://w</a>	1	\$1.4600	Digi-Key	732-74438336010HTCT-ND
L103		27nH	1		LQG18HN27NJ00D	<a href="https://w">https://w</a>	10	\$0.0492	LCSC	C162550
R101	R104	562k	1	1	FRC0603F5623TS	<a href="https://w">https://w</a>	100	\$0.0009	LCSC	C2933238
R102, R103, R106, R107, R110, R113, R114, R117, R119, R120, R121, R122, R123, R124, R125, R126, R131	R101, R102, R103, R105, R109, R112, R113, R114, R115	10k	17	9	FRC0603F1002TS	<a href="https://w">https://w</a>	100	\$0.0008	LCSC	C2906982
R104	R106	180k	1	1	FRC0603F1803TS	<a href="https://w">https://w</a>	100	\$0.0008	LCSC	C2906999
R105		5.36k	1		FRC0603F5361TS	<a href="https://w">https://w</a>	100	\$0.0009	LCSC	C2930112
R108		31.6k	1		FRC0603F3162TS	<a href="https://w">https://w</a>	100	\$0.0009	LCSC	C2933196
	R108	604		1	FRC0603F6040TS	<a href="https://w">https://w</a>	100	\$0.0009	LCSC	C2930123
R109	R107	13k	1	1	FRC0603F1302TS	<a href="https://w">https://w</a>	100	\$0.0009	LCSC	C2906992
R111		10	1		RTT0310R0FTP	<a href="https://w">https://w</a>	100	\$0.0009	LCSC	C103222
R112		910k	1		SCR0603J910K	<a href="https://w">https://w</a>	100	\$0.0008	LCSC	C3017672
	R110, R111	5.1k		2	SCR0603F5K1	<a href="https://w">https://w</a>	100	\$0.0005	LCSC	C3016319
R127, R128, R129, R130	R116, R117	3.3k	4	2	SCR0603F3K3	<a href="https://w">https://w</a>	100	\$0.0005	LCSC	C3016312
SW101, SW102, SW104, SW105	SW101, SW102	SW_Push_Shielded	4	2	TL3330AF260QG	<a href="https://w">https://w</a>	1	\$0.3600	Mouser	612-TL3330AF260QG
SW103		Slide Switch SPDT	1		500ASSP1SM6QE	<a href="https://w">https://w</a>	1	\$5.1600	Mouser	612-500ASSP1SM6QE
TH101		10k	1		103AT-2	<a href="https://w">https://w</a>	1	\$0.5800	Digi-Key	4316-103AT-2-ND
U101	U101	TL_TPS630250	1	1	TPS630250RNCR	<a href="https://w">https://w</a>	1	\$2.2800	Digi-Key	296-47380-1-ND
U102		LORA1262-915	1		LORA1262-915TCXO	<a href="https://w">https://w</a>	1	\$10.0000	Tindie	Lora1262-915
U103	U102	LORA1280-T	1	1	LORA1280-TCXO	<a href="https://w">https://w</a>	1	\$8.7054	LCSC	C19632391
U104		TVS1800DRV	1		TVS1800DRVR	<a href="https://w">https://w</a>	1	\$0.5500	Mouser	595-TVS1800DRVR
U105		BQ25628E	1		BQ25628ERYKR	<a href="https://w">https://w</a>	1	\$2.8000	Mouser	595-BQ25628ERYKR
	U103	BQ25185		1	BQ25185DLHR	<a href="https://w">https://w</a>	1	\$1.8000	Mouser	595-BQ25185DLHR
U106		LPS28DFW	1		LPS28DFWTR	<a href="https://w">https://w</a>	1	\$4.8100	Mouser	511-LPS28DFWTR
U107		MAX-M10S	1		MAX-M10S-00B	<a href="https://w">https://w</a>	1	\$21.0000	Mouser	377-MAX-M10S-00B
U108	U104	ECMF02-2AMX6	1	1	ECMF02-2AMX6	<a href="https://w">https://w</a>	1	\$0.5300	Mouser	511-ECMF02-2AMX6
U109		TUSB320LAIRWBR	1		TUSB320LAIRWBR	<a href="https://w">https://w</a>	1	\$1.8100	Mouser	595-TUSB320LAIRWBR
U110	U105	ESP32-S3-MINI-1	1	1	ESP32-S3-MINI-1-N8	<a href="https://w">https://w</a>	1	\$3.1000	Mouser	356-ESP32-S3-MINI1N8
U111	U106	MAX17048	1	1	MAX17048G+T10	<a href="https://w">https://w</a>	1	\$1.1226	LCSC	C2682616