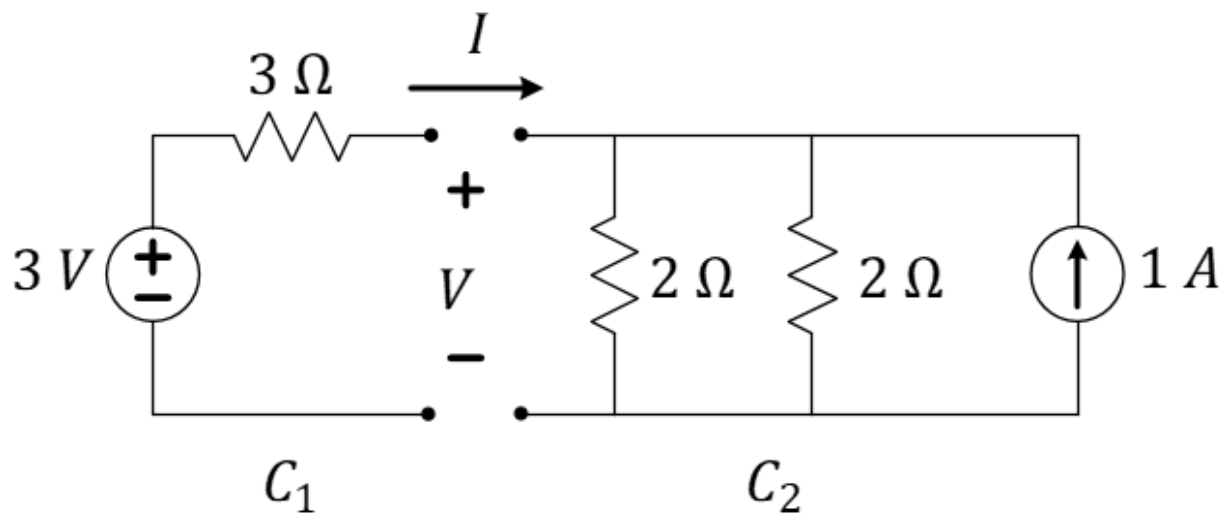


Find the value of V using KVL, KCL, and Ohm's Law.



Find the value of V using current voltage relationships.

Hint...begin by finding $I = m_1V + b_1$ for circuit C_1 and find $I = m_2V + b_2$ for circuit C_2 .

