

Nets that span sheets 1 and 2:  
5V, GND, 7.5V\_OUT, 7.5V\_IN, I2C\_SDA, I2C\_SCL, DAC\_OUT

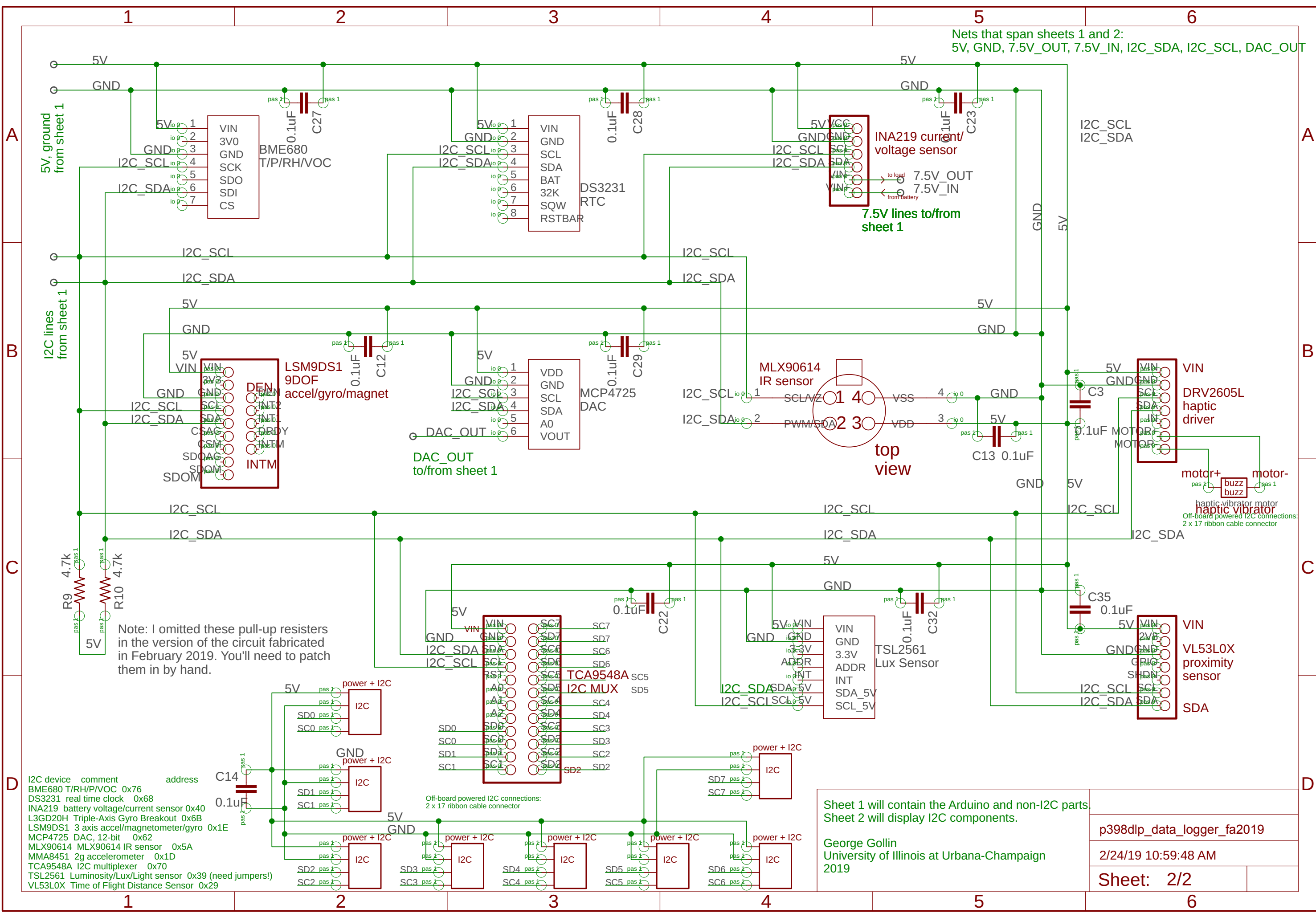
Sheet 1 will contain the Arduino and non-I2C parts.  
Sheet 2 will display I2C components.

George Gollin  
University of Illinois at Urbana-Champaign  
2019

p398dlp\_data\_logger\_fa2019

2/24/19 10:59:48 AM

Sheet: 1/2



Nets that span sheets 1 and 2:  
5V, GND, 7.5V\_OUT, 7.5V\_IN, I2C\_SDA, I2C\_SCL, DAC\_OUT

A

A

B

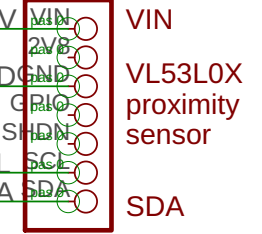
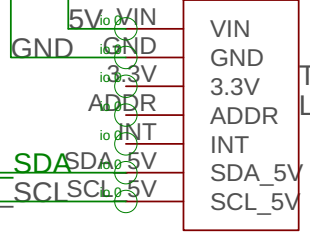
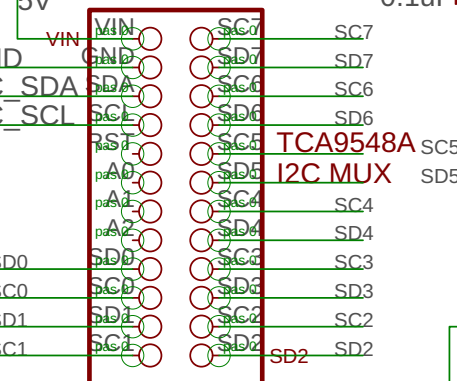
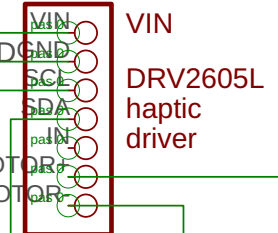
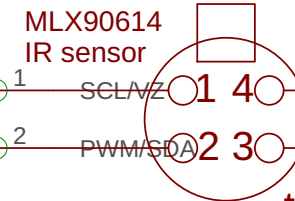
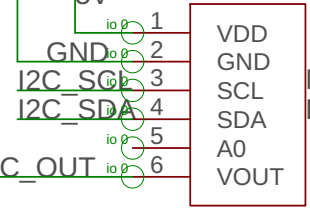
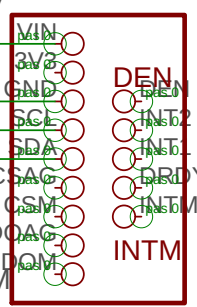
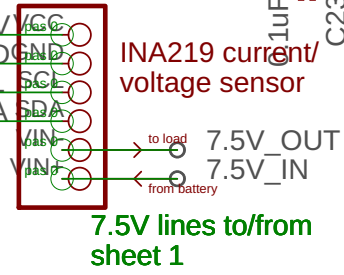
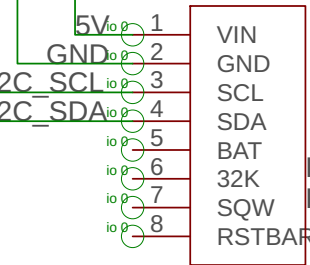
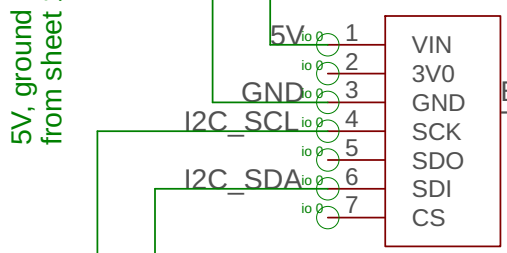
B

C

C

D

D



Note: I omitted these pull-up resistors in the version of the circuit fabricated in February 2019. You'll need to patch them in by hand.

I2C device	comment	address
BME680	T/RH/P/VOC	0x76
DS3231	real time clock	0x68
INA219	battery voltage/current sensor	0x40
L3GD20H	Triple-Axis Gyro Breakout	0x6B
LSM9DS1	3 axis accel/magnetometer/gyro	0x1E
MCP4725	DAC, 12-bit	0x62
MLX90614	MLX90614 IR sensor	0x5A
MMA8451	2g accelerometer	0x1D
TCA9548A	I2C multiplexer	0x70
TSL2561	Luminosity/Lux/Light sensor	0x39 (need jumpers!)
VL53L0X	Time of Flight Distance Sensor	0x29

Sheet 1 will contain the Arduino and non-I2C parts.  
Sheet 2 will display I2C components.

George Gollin  
University of Illinois at Urbana-Champaign  
2019

p398dlp\_data\_logger\_fa2019

2/24/19 10:59:48 AM

Sheet: 2/2

