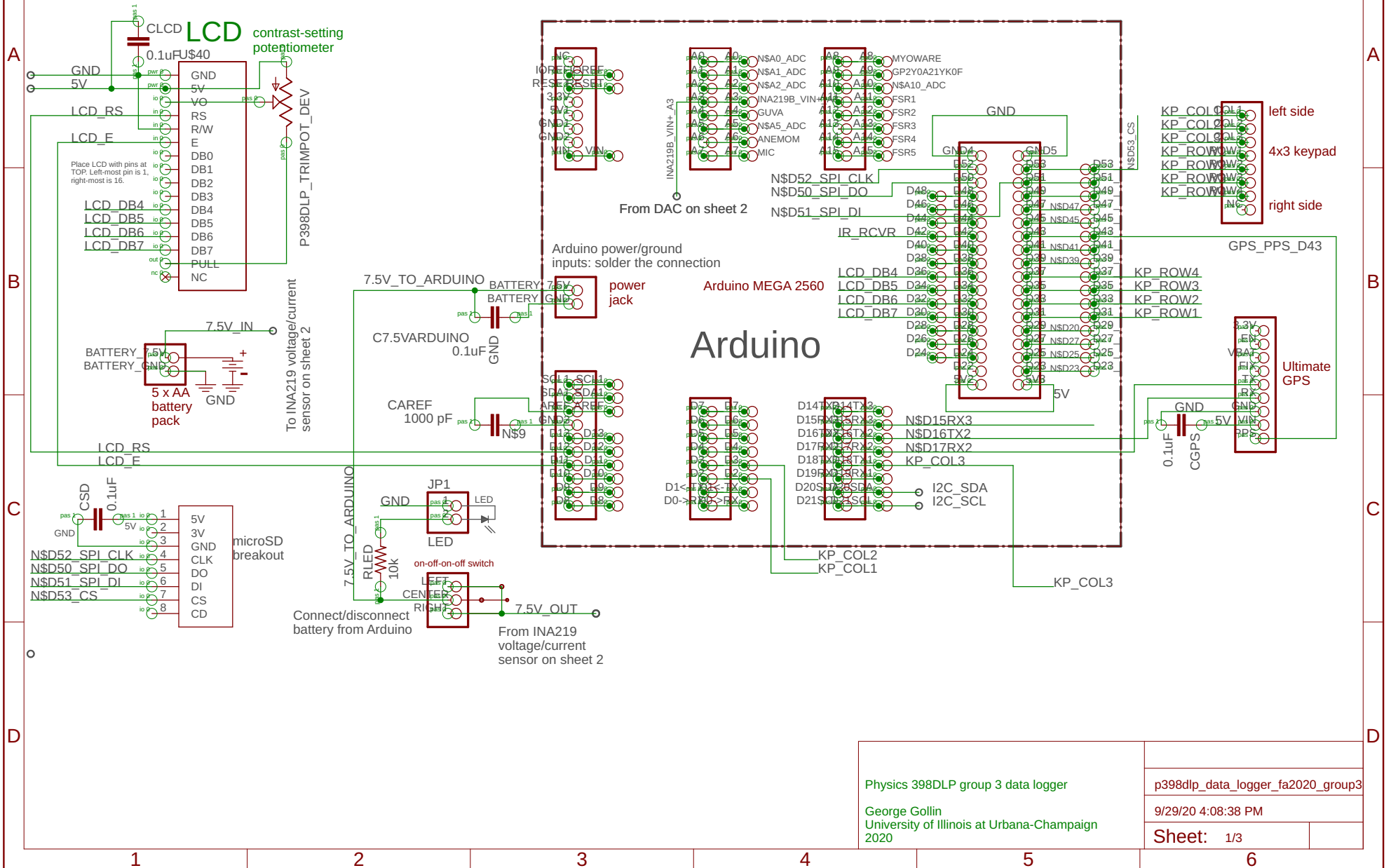
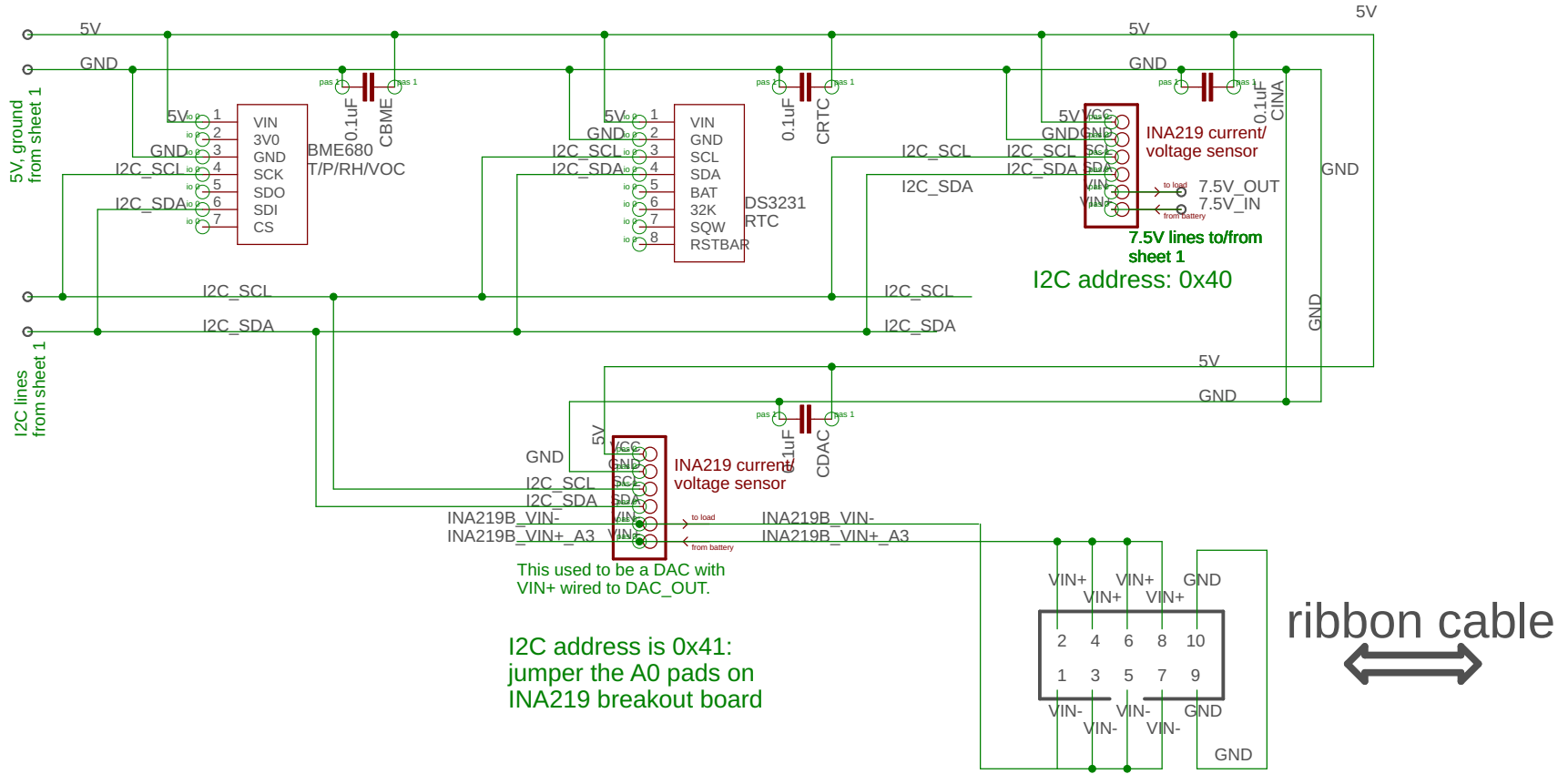


This is a modified schematic relevant for the group 3 double INA219 circuit.



Physics 398DLP group 3 data logger		p398dlp_data_logger_fa2020_group3	
George Gollin University of Illinois at Urbana-Champaign 2020		9/29/20 4:08:38 PM	
Sheet: 1/3			

This is a modified schematic relevant for the group 3 double INA219 circuit.



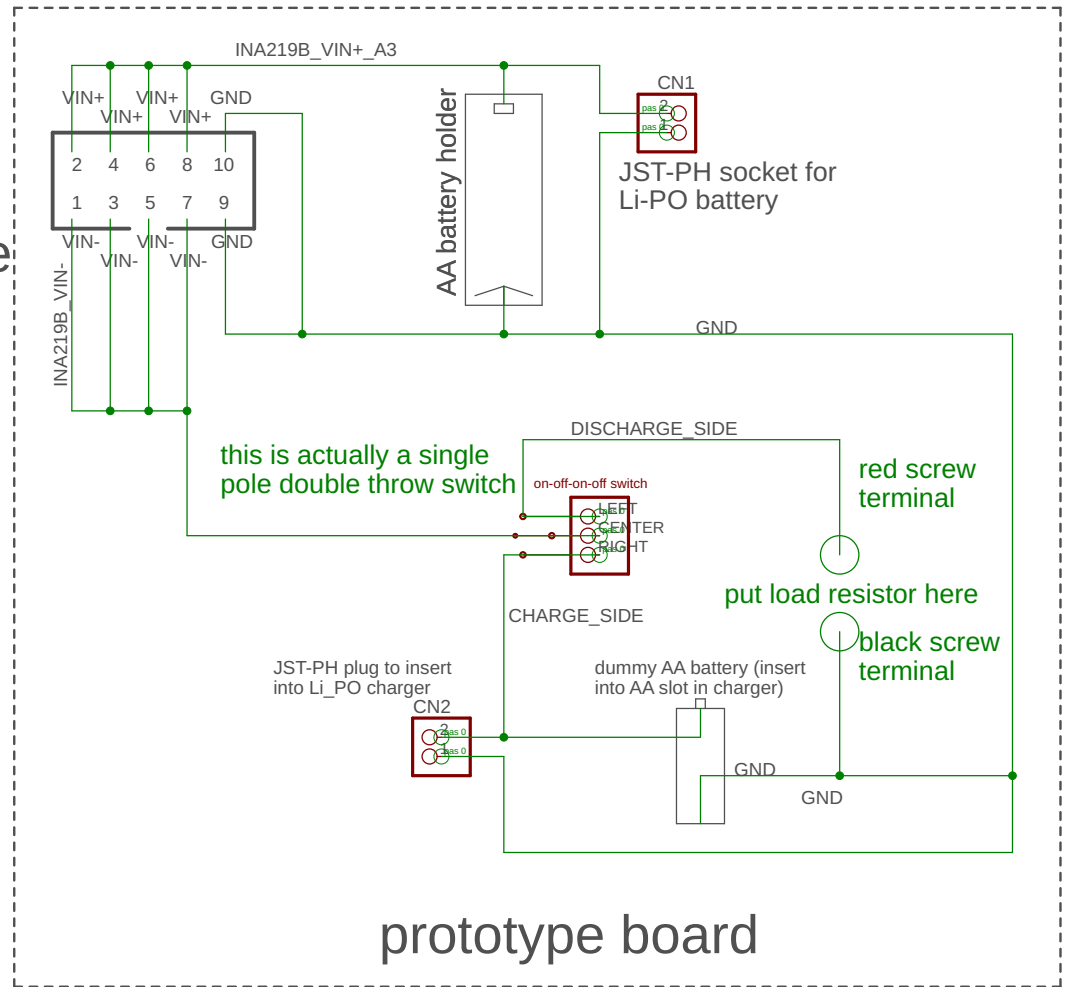
This used to be a DAC with VIN+ wired to DAC_OUT.
 I2C address is 0x41:
 jumper the A0 pads on INA219 breakout board

This is the assignment of connections to the 2 x 5 connector on the "spring 2019" version of the board that has been modified for group 3. I should cut all traces going to the connector, and jumper a +5V connection to the 2 x 17 connector.

Physics 398DLP group 3 data logger	p398dlp_data_logger_fa2020_group3
George Gollin University of Illinois at Urbana-Champaign 2020	9/29/20 4:08:38 PM
	Sheet: 2/3

This is a modified schematic relevant for the group 3 double INA219 circuit.

↔
ribbon cable



Current path when discharging:

1. current EXITS rechargeable battery positive terminal then...
2. ENTERS INA219b V+ input after passing through the 10-conductor ribbon cable, then...
3. PASSES THROUGH INA219b 0.1 ohm resistor then...
4. EXITS INA219b V- output then...
5. returns to the prototype board through the ribbon cable, then...
6. ENTERS the center-pin of the SPDT switch, then...
7. EXITS the left side pin of the switch, then...
7. flows through the load resistor to ground.

Current path when charging:

1. current EXITS the charger then...
2. ENTERS the right pin of the switch, then...
3. EXITS the center pin of the switch, then...
4. PASSES THROUGH the ribbon cable and...
5. ENTERS INA219b V- input, then...
6. PASSES THROUGH the INA219b 0.1 ohm resistor then...
7. EXITS INA219b V+ output then...
8. returns to the prototype board through the ribbon cable, then...
9. ENTERS the positive terminal of the rechargeable battery.

Physics 398DLP group 3 data logger

George Gollin
University of Illinois at Urbana-Champaign
2020

p398dlp_data_logger_fa2020_group3

9/29/20 4:08:38 PM

Sheet: 3/3