

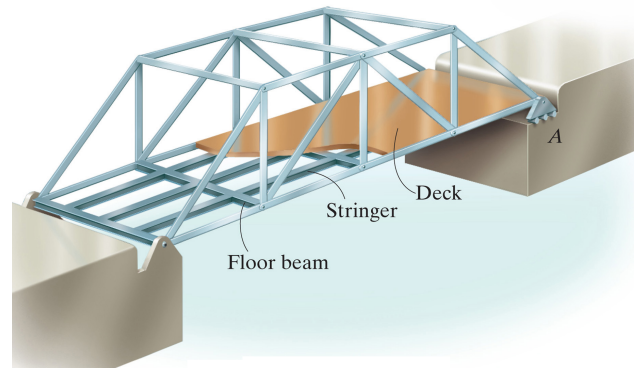
Name: _____

Group members: _____

TAM 210/211 - Worksheet 8

Truss Analysis

A simple model of a bridge is an example of a truss: load transferred from the deck to stringers, and from stringers to floor beams, and the floor beams then connect to the joints in supporting side trusses.

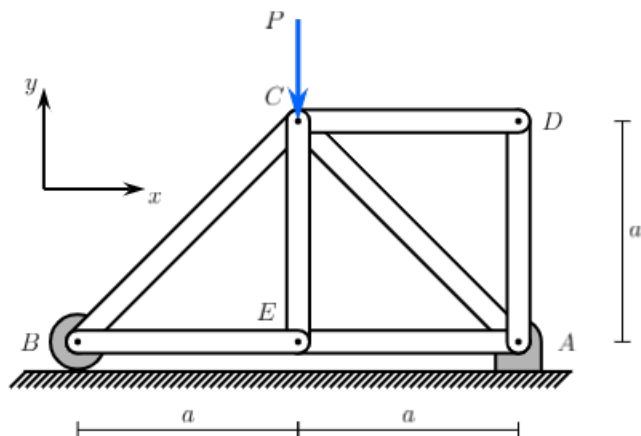


To analyze the design of a truss, we will work through a **free-body diagram** including **reaction forces**, followed by **equations for equilibrium**, and determine **reaction forces at the supports** and **internal forces** on the supporting side truss members. For everything ahead, we will simplify the problem by considering it in 2D.

Objectives:

- Identify whether truss members are in tension or compression.
- Identify zero-force members.

1) A truss experiences a load of magnitude P downward as shown in the figure below. The truss has a roller support at B and is pinned at A . Draw a free body diagram for the truss.



2) Use the FBD from Question 1 to find the support reaction forces at A and B in terms of the load P and distance a .

3) Use the method of joints for pin B to determine the forces in members BC and BE in terms of P and a , specify whether they are in tension or compression. Then repeat the process with pins E , C and A for members AC , AD , AE , CD and CE .

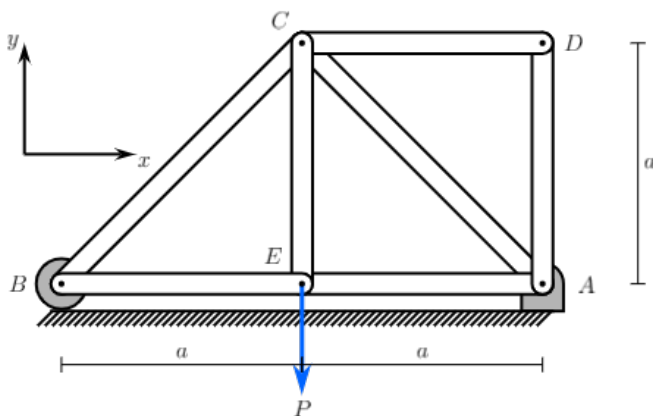
4) Which members experience zero force? These are called zero-force members.

5) Construct the truss from Question 1 with the given truss kit. Tension members are red and compression members are blue. Use the appropriate type of members according to your answer for Question 3, and use compression members for zero-force members. Use your finger to apply load P . Does your truss retain its shape after the loading is applied? If not, go over Question 3 again to make sure that all the members are correctly classified.

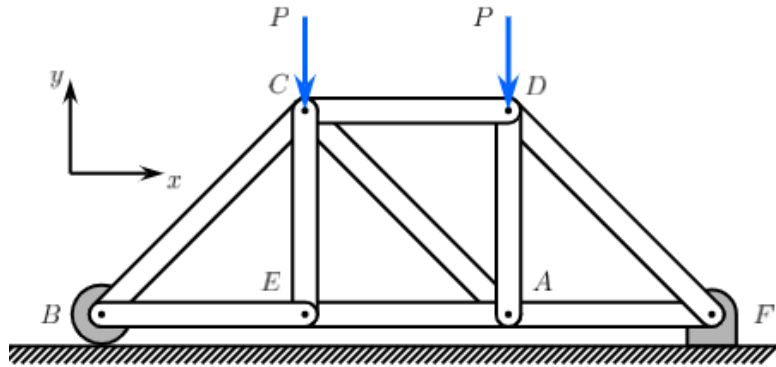
6) Remove zero-force members from the truss kit structure. What happens when you apply load P at C ? Why?

7) What happens when load P is applied at E instead of C for the same truss without zero-force members from Question 6? Why?

8) Perform the method of joints analysis on pin E in the truss shown below. Then, construct the truss setup below with the kit again and show that correct tension and compression members are identified. Which members are now in tension? Any zero-force members?



9) Determine which members in the truss below are in tension and compression, and check your solution by constructing the truss and apply appropriate loadings.



10) *Challenge.* Come up with your own truss and loading conditions that can be built with the kit and draw it in the space below. Determine which members are in tension and which members are in compression, then test your solution by building the truss.